

Quality, Reliability and Dependability based on over 50 Years of Experience.

## MULTI-DECK DAIRY & DELI CASES

The Merchandiser of Choice for  
All Dairy and Deli Products

**CPW-EXA225**

H: 84 7/8" / W: 42 1/2" / L: 144 5/8"  
110.7 cu. ft. capacity

**CPW-EXA285**

H: 84 7/8" / W: 42 1/2" / L: 96 3/8"  
73.8 cu. ft. capacity



The CPW Dairy and Deli Cases utilize SANYO's Dual Air Curtain System and a new Energy-efficient Evaporator, providing stable temperature control, longer shelf life, and reduced energy consumption.

- Dual Air Curtain for Refrigeration Containment
- Convenient Honeycomb Clips
- Stainless Steel Drain Channel
- Self-trapping and Easy-to-clean Drain
- Easy Electrical Connection Point Access
- High-efficiency Evaporator Coil
- 16"-, 18"- and 20"-wide Shelving Options
- Varied Standard and Optional Color Choices

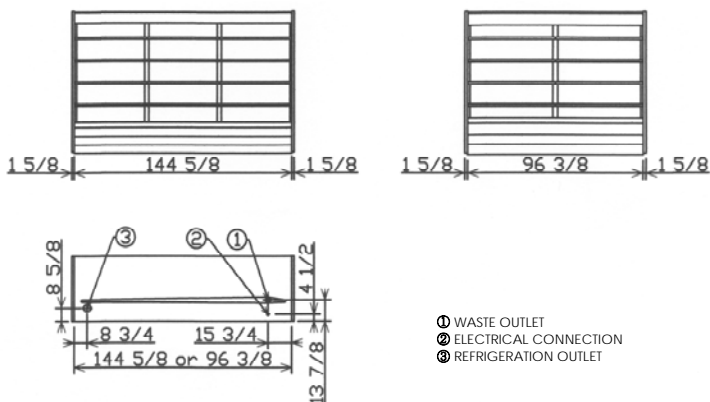
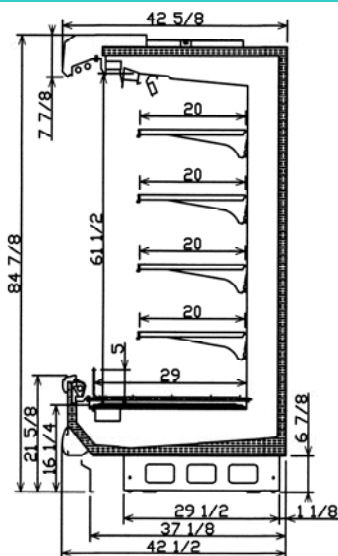
Since 1950, SANYO has been recognized as a global technology leader in manufacturing, sales, installation and servicing of Commercial Products worldwide. Our Food Service Products offer energy-efficient evaporators and reduced energy consumption to lessen our global footprint.

### CPW-EXA225

Height: 84 7/8"  
 Length: 144 5/8"  
 Width: 42 1/2"  
 Weight: 1,036 lbs.

### CPW-EXA285

Height: 84 7/8"  
 Length: 96 3/8"  
 Width: 42 1/2"  
 Weight: 716.5 lbs.



### ENERGY EFFICIENT

SANYO'S unique airflow guide separates the primary and secondary air curtains, preventing turbulence and maximizing the effectiveness of the Dual Air Curtain.

SANYO's design provides high energy efficiency, stable temperature control and long shelf life.

### MAINTENANCE-FRIENDLY

Ease of maintenance features, including clips for quick Honeycomb detachment for cleaning and re-installation, ample space for accessing electrical connection points in the Raceway, and removable Self-trapping Stainless Steel Drain.

### QUALITY FIRST

SANYO stands behind the quality, reliability and durability of its merchandisers with an industry leading warranty.

### VERSATILE

The CPW Merchandiser comes with options including three position adjustable shelving, product stops, and various shelf depths (16", 18" and 20") allowing for flexible merchandising concepts.

Refrigerant:  
 Evaporator Temperature:  
 Ambient Temperature:  
 Cooling Capacity (Conventional):  
 Power Specifications:  
 Front Height:  
 Display Area:  
 Capacity:  
 Open Dimension:  
 Off-Cycle Defrost:

CPW-EXA225	CPW-EXA285
<b>R404A / R407A</b>	
<b>28 degrees Fahrenheit</b>	
<b>75 degrees Fahrenheit, 55% Relative Humidity</b>	
<b>4,025W, 1,140BTU/h/ft</b>	<b>2,683W, 1,140BTU/h/ft</b>
<b>Single Phase 120V</b>	
<b>21 5/8"</b>	
<b>130.241 sq. ft.</b>	<b>86.86 sq. ft.</b>
<b>110.7 cu. ft.</b>	<b>73.8 cu. ft.</b>
<b>61 1/2"</b>	
<b>30 minute cycles, every 6 hours</b>	

NOTE: The appearances and/or specifications of the products referred in this publication are subject to partial changes without prior notice

Manufactured by:

**SANYO**  
 SANYO E & E Corporation  
 2001 Sanyo Avenue  
 San Diego, CA 92154-6229  
 USA

Distributed by:

**SANYO**  
 SANYO North America Corporation  
 Commercial Solutions Division  
 2001 Sanyo Avenue  
 San Diego, CA 92154-6229  
 USA  
 Toll Free USA: 800-95-SANYO (72696) – Fax: 619-470-5040  
<http://us.sanyo.com/Food-Solutions>

Marketed by: