

2010



Quality, Reliability and Dependability based on over 50 Years of Experience.

MULTI-DECK FRESH PRODUCE CASES

The Merchandiser of Choice for
All Fresh Produce Products

CVW-EXA224

H: 84 7/8" / W: 42 1/2" / L: 144 5/8"
108.0 cu. ft. capacity

CVW-EXA284

H: 84 7/8" / W: 42 1/2" / L: 96 3/8"
72.0 cu. ft. capacity



The CVW Fresh Produce Case utilizes SANYO's Dual Air Curtain System and a new Energy-efficient Evaporator, providing stable temperature control, longer shelf life, and reduced energy consumption.

- Dual Air Curtain for Refrigeration Containment
- Convenient Honeycomb Clips
- Stainless Steel Drain Channel
- Self-trapping and Easy-to-clean Drain
- Easy Electrical Connection Point Access
- High-efficiency Evaporator Coil
- Readily Accepts Major After-market Shelving
- Varied Standard and Optional Color Choices

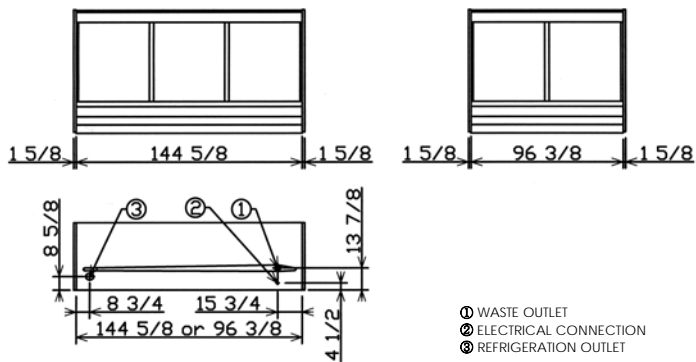
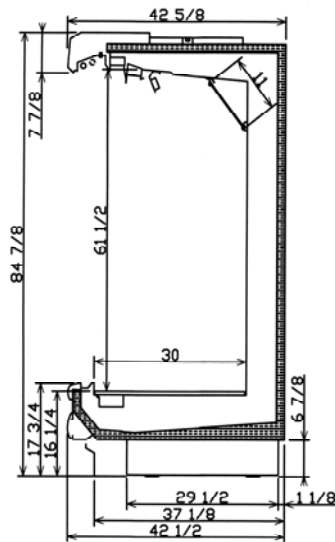
Since 1950, SANYO has been recognized as a global technology leader in manufacturing, sales, installation and servicing of Commercial Products worldwide. Our Food Service Products offer energy-efficient evaporators and reduced energy consumption to lessen our global footprint.

CVW-EXA224

Height: 84 7/8"
 Length: 144 5/8"
 Width: 42 1/2"
 Weight: 892 lbs.

CVW-EXA284

Height: 84 7/8"
 Length: 96 3/8"
 Width: 42 1/2"
 Weight: 620.5 lbs.



ENERGY EFFICIENT

SANYO'S unique airflow guide separates the primary and secondary air curtains, preventing turbulence and maximizing the effectiveness of the Dual Air Curtain.

SANYO's design provides high energy efficiency, stable temperature control and long shelf life.

MAINTENANCE-FRIENDLY

Ease of maintenance features, including clips for quick Honeycomb detachment for cleaning and re-installation, ample space for accessing electrical connection points in the Raceway, and removable Self-trapping Stainless Steel Drain.

QUALITY FIRST

SANYO stands behind the quality, reliability and durability of its merchandisers with an industry leading warranty.

VERSATILE

The CVW Merchandiser readily accepts major after-market shelving and accessories allowing for flexible merchandising concepts. Quick-connect sprayer connections and misters are an available option.

	CVW-EXA224	CVW-EXA284
Refrigerant:	R404A / R407A	
Evaporator Temperature:	28 degrees Fahrenheit	
Ambient Temperature:	75 degrees Fahrenheit, 55% Relative Humidity	
Cooling Capacity (Conventional):	4,321W, 1,224BTU/h/ft	2,880W, 1,224BTU/h/ft
Power Specifications:	Single Phase 120V	
Front Height:	17 3/4"	
Display Area:	110.1 sq. ft.	73.4 sq. ft.
Capacity:	108.0 cu. ft.	72.0 cu. ft.
Open Dimension:	61 1/2"	
Off-Cycle Defrost:	30 minute cycles, every 6 hours	

NOTE: The appearances and/or specifications of the products referred in this publication are subject to partial changes without prior notice

Marketed by:

Manufactured and Distributed by:



SANYO E & E Corporation

2001 Sanyo Avenue
 San Diego, CA 92154-6229
 USA

Toll Free USA: 800-95-SANYO (72696)

Fax: 619-661-4183

http://us.sanyo.com/Food-Solutions