

## How to read the Charge Indicator Light

While charging the battery device, the charge indicator light blinks. The color of charge indicator light changes according to the residual charge of the battery.

Display	Condition
Red	Blinks approximately every 2 seconds. While charging, the residual power of the battery is less than 30%.
Orange	Blinks approximately every 2 seconds. While charging, the residual power of the battery is about 30% to 60%.
Green	Blinks approximately every 2 seconds. While charging, the residual power of the battery is more than 60%.
It goes off.	Charging has completed.
It blinks in approximately every 0.5 second.	Contact Customer Service. Refer to "Troubleshooting" on page 11.

While using the battery device, the charge indicator light blinks. The color of charge indicator light changes according to the residual charge of the battery.

Display	Condition
Green	About 60% to 100% power remains.
Orange	About 30% to 60% power remains.
Red	Less than 30% power remains.
No light	No power

● The display of the residual power is only an estimation.

## Specification

(Device)	
Model	KBC-9V3U
Input	DC5V 2A
Output	DC9V 2A
Dimension	4.7" x 2.56" x 1.65"
Weight	0.617lb
Usage Temperature Range	32/104°F
Built-in Battery	Lithium-ion battery 3.7V 7350mAh

(AC adaptor)	
Model	NC-AD0520W-U
Input	100-240V ~ 50-60Hz 15W
Output	5.0V --- 2.0A
Dimension	3.15" x 1.95" x 1.16" (Excluding the protruding portion and the cord)
Weight	0.265lb
Usage Temperature Range	32/104°F

## Specification

Recharge time	About 3.5 hours
Equipment to be used / Current of consumption	Output hours
Analog effects (Distortion/Over Drive, etc.:10mA current draw.)	About 50 hours
Digital effects (Digital Delay/ Digital Reverb, etc.: 50mA current draw.)	About 27 hours
Digital multiple effects/ mini amplifier/ graphic digital multiple effects/ mini amplifier/ graphic equalizer (100mA draw.)	About 17 hours
Multiple track / recorder or synthesizer (300mA draw.)	About 7 hours
Electronic drum / percussion instrument (1000mA draw.)	About 2 hours

\*When the output current (Current of consumption) exceeds 2A in total between the two output terminals, output to the equipment ends.

- The above-mentioned charging time is only an estimation when the battery is fully charged. It may change according to the residual power of the battery or surrounding temperature.
- The above-mentioned output time is only an estimation when a fully charged battery is used. The usage time may differ depending on the specification of the equipment, performance conditions and surrounding temperature. In addition, output will stop automatically after 10 hours.
- The above-mentioned charging times and output hours are only an estimation when charging or output is carried out at 77°F.
- The product specifications and appearance may change without prior notice for enhancement of performance.

## IMPOTANT SAFETY INSTRUCTIONS SAVE THESE INSTRUCTIONS

DANGER - TO REDUCE THE RISK OF FIRE OR ELECTRIC SHOCK, CAREFULLY FOLLOW THESE INSTRUCTIONS.

FOR CONNECTION TO A SUPPLY OUTSIDE OF THE U.S.A. USE AN ATTACHMENT PLUG ADAPTER OF THE PROPER CONFIGURATION FOR THE POWER OUTLET.

## After-sales Service

- Warranty page is attached, please keep the receipt and the warranty page for maintenance.
- Warranty period is 1 year starting from the purchase date. In case of device failure, please do not disassemble. Contact our customer service center at (800) 421-6382 for consultation and to arrange maintenance.
- If your product needs repairing after the warranty period, please contact customer service at (800) 421-6382.
- Need maintenance
- If the unit is not functioning as usual, or abnormal circumstances are found, please stop using it immediately and contact customer service at (800) 421-6382.
- For after-sales services, or product inquiries, please contact customer service at (800) 421-6382.

For additional information, visit [www.eneloopusa.com](http://www.eneloopusa.com)

## After-sales Service

The names and telephone numbers of the above contacts are subject to change.

### Handling of personal information obtained at customer service centers

We will handle your personal information properly, including your name, address and telephone number. We will not disclose your information to any third party without your consent unless we outsource the service or we decide that it is necessary to disclose your information in accordance with applicable laws and regulations. When you contact us by telephone, your call may be recorded so that we can better understand your request and handle it properly.

### <Purpose of Use>

● We will use your personal information collected at our customer service centers only for the purpose of handling your inquiries about our products and services and your request for repair. To fulfill this purpose, we may use the above mentioned personal information at Sanyo North America corporation.

### <Outsourced Service>

● If we outsource our customer service to a third party within the scope of the above purpose, we will make sure that such third party provides the same level of protection of personal information as we do, and properly manage and supervise such a third party.

For more information about how we handle personal information, please visit our website at: <http://www.sanyousa.com>.

Sanyo North America Corporation  
Consumer Solutions Division  
21605 Plummer St.  
Chatsworth, CA 91311

## SANYO 9V POWER PEDAL JUICE™

### Limited Warranty

FOR PRODUCT OPERATION AND PROBLEM RESOLUTION, CALL Customer Relations (800)421-6382 Weekdays 7:30AM - 5:00PM Pacific Time

THIS WARRANTY IS VALID ONLY ON SANYO PRODUCTS PURCHASED AND USED IN THE UNITED STATES OF AMERICA, CANADA, OR MEXICO, EXCLUDING ALL U.S. TERRITORIES AND PROTECTORATES.

THIS WARRANTY IS VALID ONLY IN THE COUNTRY IN WHICH THE PRODUCT WAS PURCHASED.

THIS WARRANTY APPLIES ONLY TO THE ORIGINAL RETAIL USER, AND DOES NOT APPLY TO PRODUCTS USED FOR ANY INDUSTRIAL, PROFESSIONAL, OR COMMERCIAL PURPOSE. THE ORIGINAL DATED BILL OF SALE OR SALES SLIP MUST BE SUBMITTED AT THE TIME WARRANTY SERVICE IS REQUESTED.

Subject to the OBLIGATIONS above and EXCLUSIONS below, Sanyo North America Corporation (SNA) warrants this SANYO product against defects in materials and workmanship for the periods of LABOR and PARTS specified below. SNA will repair or replace (at its option) the product and any of its parts, which fail to conform to this warranty with new or reconditioned products or parts. The warranty period commences on the date the product was first purchased at retail.

LABOR - 1 Year  
PARTS - 1 Year

### EXCLUSIONS

This warranty does not cover the adjustment of customer-operated controls as explained in the appropriate model's instruction manual.

This warranty shall not apply to cosmetic parts or routine maintenance.

This warranty does not apply to unpacking and removal of the product or repair or reinstallation of the product after repair.

This warranty does not apply to repairs or replacements necessitated by any cause beyond the control of SNA including, but not limited to, any malfunction, defect or failure caused by or resulting

from unauthorized service or parts, improper maintenance, operation contrary to furnished instructions, shipping or transit accidents, modification or repair by the user, abuse, misuse, neglect, accident, incorrect power line voltage, fire, flood, or other Acts of God, or normal wear and tear.

The foregoing is in lieu of all other expressed warranties and SNA does not assume or authorize any party to assume any other obligation or liability.

THE DURATION OF ANY WARRANTIES WHICH MAY BE IMPLIED BY LAW (INCLUDING THE WARRANTIES OF MERCHANTABILITY AND FITNESS) IS LIMITED TO THE TERM OF THIS WARRANTY. IN NO EVENT SHALL SNA BE LIABLE FOR SPECIAL, INCIDENTAL OR CONSEQUENTIAL DAMAGES ARISING FROM OWNERSHIP OR USE OF THIS PRODUCT, OR FOR ANY DELAY IN THE PERFORMANCE OF ITS OBLIGATIONS UNDER THIS WARRANTY DUE TO CAUSES BEYOND ITS CONTROL.

SOME STATES DO NOT ALLOW LIMITATIONS ON HOW LONG AN IMPLIED WARRANTY LASTS AND /OR DO NOT ALLOW THE EXCLUSION OR LIMITATIONS OF CONSEQUENTIAL DAMAGES, SO THE ABOVE LIMITATIONS AND EXCLUSIONS MAY NOT APPLY TO YOU. THIS WARRANTY GIVES YOU SPECIFIC LEGAL RIGHTS. YOU MAY HAVE OTHER RIGHTS, WHICH VARY FROM STATE TO STATE.

For your protection in the event of theft or loss of this product, please fill in the information below for your own personal records.

### MODEL

\_\_\_\_\_

### PURCHASE PRICE

\_\_\_\_\_

### DATE OF PURCHASE

\_\_\_\_\_

### WHERE PURCHASED

\_\_\_\_\_

US Design Patent No.623.124

SANYO Electric Co.,Ltd.

Open it to read.

2103

## Safety Precaution

Before you use this product, please read and follow this "Safety Precaution" carefully. In addition, please keep it in a convenient place so that it can be found anytime by other persons who use it after you have read it.

● The precautions stated here are meant for users to use this product safely and properly and to prevent safety hazards or damages from being incurred to you or other users in advance. In addition, in order to show the level of magnitude or urgency of the safety hazard or damage, the situations where mishandling is likely to occur are classified into three sections, namely "Danger", "Warning" and "Caution" for these precautions. Be sure to follow these precautions since they are important for your safety.

### Regarding the display

- Danger** The situation where imminent danger such as fatal accident or server injury might occur.
- Warning** The situation where there is a possibility that people might be killed or severely injured.
- Caution** The content where there is a possibility that people might be severely injured or it might cause a physical damage.

### Examples of displayed symbols

- This symbol shows certain situation that draws warning or caution. In the drawing, the specific content of the caution is described. (example ⚠ a caution in electric shock)
- This symbol shows that certain action should be restricted. In the drawing or at its nearby, the specific content of the restriction is described. (example ⚡ a split restriction)
- This symbol compels or instructs certain action. In the drawing, the specific content of the instruction is described. (example ⚡ a power plug is to be pulled out from an outlet)

## Danger

- Please do not use it for purposes other than intended. This might cause liquid leakage, generation of heat, rupture, ignition and breakdown.
- Please do not use it or leave it in places of high temperature. Do not put it near fire, near the stove or in a car under hot sun. This might cause deformation, breakdown or burning.
- Please do not disassemble. This might cause liquid leakage, ignition, generation of heat and breakdown. For disposal of the product, please follow the instructions in "Collection and Recycle of Lithium-ion battery"
- Please do not expose to liquids. When liquid such as water enters it, this might cause generation of heat, electric shock and breakdown.
- Please do not short-circuit the jack or plug. This might cause breakdown of equipment or injury to the user.
- Please use the dedicated AC adaptor. To charge the unit using an AC plug, please use the enclosed AC adaptor. Do not use an electronic transformer. This might cause generation of heat, ignition and breakdown.
- Please do not throw it into fire. This might cause liquid leakage, ignition, generation of heat and damage.
- Please take precaution of liquid leakage. When the liquid in this product goes into your eyes, please do not rub them. Instead, rise your eyes with clean water and see a doctor immediately. This might cause blindness.

## Caution

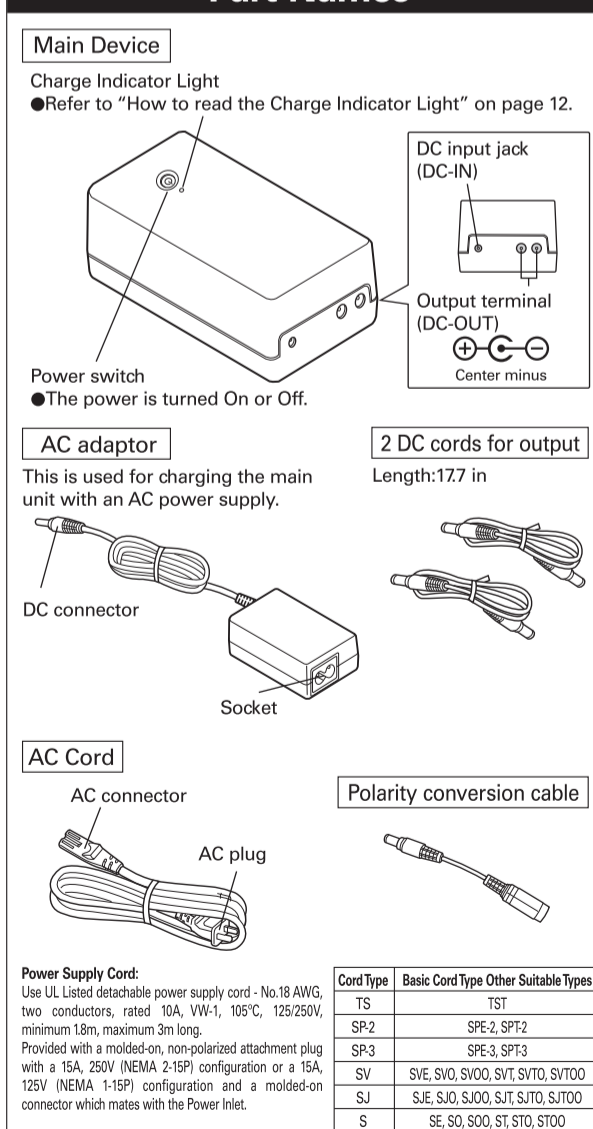
- Please do not charge a wet unit or a wet AC adaptor. This might cause generation of heat, ignition, or rupture.
- Please do not place heavy items on the cord. This might cause electric shock or fire.
- Please do not place it on an unstable surface like on a shaky table, etc. If it falls, this might cause a breakdown or injury to people.
- Please do not store it in a humid, dusty or very hot place. This might cause a breakdown.
- Please store it in a place where babies cannot access. Otherwise it could cause injury.
- When it is used by a child, the guardians should instruct on the way to use it. In addition, please ensure that the child follow the instruction while he or she uses it.
- If any abnormality occurs on your skin due to the use of this product, please stop using it and see a doctor.
- Please pull out the AC plug from the outlet and store it properly except when you are charging the device. It might cause injury if a power plug is left in the outlet.

## Warning

- Please do not use it when abnormalities such as odor, generation of heat, change in color, deformation etc. occur while it is in use or when it is stored. This might cause leakage of liquid, ignition, generation of heat and rupture.
- When the liquid in this product adheres to your skin or clothing, please rinse it immediately with clean water. This might cause damage to your skin.
- Please verify the (+) and (-) end of the unit when you use the output terminal.
- Please stop charging if it is not finished even after a prescribed time has passed. If it is not stopped, it might cause leakage of liquid, ignition, generation of heat and rupture.
- Please do not use it in a humid place such as in the bathroom. This might cause generation of heat, electric shock and breakdown.
- Do not damage a cord by stamping on it or lay it under equipment. Please do not use a cord that has been damaged as this might cause electric shock, generation of heat and fire.
- Please do not put it in a heating device such as a microwave oven or a high-pressure container. This might cause generation of heat, emission of smoke, ignition or breakdown of circuit components.
- Please do not give it a strong bang or throw it. This might cause a breakdown or fire.
- Please charge it in a stable place. Do not cover or wrap it with a cloth.
- Please do not use it in places where there is a risk of ignition or explosion. This might cause an explosion or fire.

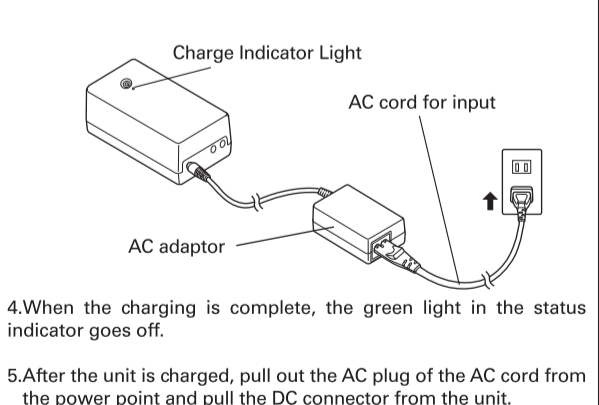
## Part Names and Functions

### Part Names



### Charging the Device

- Insert the DC connector of the AC adaptor into the DC input jack of the device.  
● Please insert the DC connector into the end securely.
- Insert the AC connector of AC cord for input into socket of AC adaptor.  
● Please insert the DC connector into the device securely.
- Insert the AC plug of the AC cord for power.  
When the charge indicator lights up for approximately every 2 seconds, this means the battery is being charged correctly. Estimated recharge time: About 3.5 hours  
● The color of the charge indicator displays the residual power of the battery. (Refer to "How to read the charge indicator light" on page 12 for more details.)  
● While charging, output is not carried out.



- When the charging is complete, the green light in the status indicator goes off.
- After the unit is charged, pull out the AC plug of the AC cord from the power point and pull the DC connector from the unit.
- While charging the device, be sure it is placed on its underside with the Charge Indicator Light facing upward.
- When there is noise coming from a radio or TV while charging, place this product away from the radio or TV.

### Safety precaution while charging

- Charging should be carried out at a temperature between 32/104°F.
- Do not charge the battery under a high temperature such as on electric carpet, in front of the stove, under direct sunlight, or inside the car under the hot sun. In addition, do not charge the battery when it is covered.

### Charging Equipment

- Remove batteries when batteries are inserted in the equipment. 2. Before connecting equipment to the battery device, please verify the polarization on the display of the input terminal of the equipment.  
a) When the polarization of the input terminal of the equipment is minus (display of ⊖ ⊕ ⊖), connect the output terminal (DC-OUT) of the battery device and the DC input terminal of the equipment by using the DC cord for output.  
b) When the polarization of the input terminal of the equipment is plus (display of ⊕ ⊕ ⊕), connect the polarization conversion cord and DC cord for output. Then connect another polarization conversion cord to the output terminal (DC-OUT) of the battery device and connect the other side of the DC cord for output to the DC input terminal.  
● Please insert each cord and terminal securely.

(Warning)  
When you connect to the wrong polarization, this may cause the equipment not to work properly or to break-down. Make sure that you connect to the correct polarization.

- Press the power switch to turn it ON. When the charge indicator is lighted, it outputs normally.  
● Please refer to "Specification" on page 12 for the estimated time of usage.  
● The color of the charge indicator light shows the amount of residual usage. (Please refer to "How to read the Charge Indicator Light" on page 12 for more details.) When the charge indicator light turns red, please charge it as soon as possible.  
● When the output current of the 2 terminals exceeds a total of 2A, output to the equipment ends.  
● Do not charge the equipment while using it to power other devices. (Please refer to "How to read the Charge Indicator Light" on page 12 for more details.)  
● When you finish using the equipment, keep pressing the power switch until the charge indicator light of a main device turns off.  
● Power might still be consumed even when you do not play music depending on the device. Please turn OFF the power when you are not using the device.

### Caution for usage

- Use this product at a temperature between 32/104°F. When this range is exceeded, the usage time might be shortened or output might just stop since the temperature protection control will be in operation. Please use it with care especially when you use it outdoors in summer, on the top of an amplifier, or in places where lightning is strong since the surrounding temperature rises.

### Caution for usage

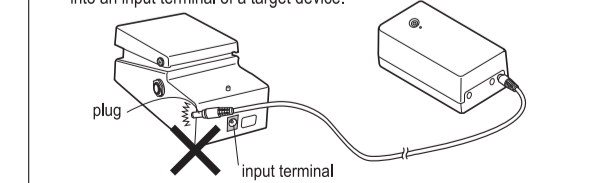
Turn on the power switch of a main device after connecting an AC cord for output. The main device may not operate normally or may cause failure in case below.

#### ● Precautions for connecting

- Check the polarity of a target device. Do not connect in an opposite polarity.
- a) Connection example  
Connecting with a positive center device without using a polarization conversion cord (causes reverse polarity due to the polarity difference between a main device and a target device)
- b) Connection example  
Connecting with a negative center device with using a polarization conversion cord (causes reverse polarity due to the use of a polarization conversion cord when the polarities of the main device and a target device are same)

#### ● Precautions for handling cables

- Do not let the metal parts of DC cords for output (e.g. plugs) touch each other. Be careful especially in use of cords except an attached DC cord for output (e.g. parallel cables).
- Do not let the metal part of a DC cord for output (e.g. plugs) touch the metal part of a target device except its terminal. Be careful especially when plugging into an input terminal of a target device.



## Troubleshooting

Before inquiring about repair service, try to solve any problems using the chart below. If you are still not able to solve the problem, please stop using it immediately and contact Customer Service at (800)421-6382.

Issue	Cause	Correct way of handling
While charging The charge indicator light of the AC adaptor is not functioning while charging.	Charging is not carried out with the AC adaptor. Connection of the cord is bad.	Charge the battery with the bundled AC adaptor. Connect the cord securely.
The charge indicator light blinks in red (approximately every 0.5 second).	The AC adaptor is not used or it is abnormal.	When the conditions do not change even after using the AC adaptor, pull the AC plug from the AC cord for input and then reinsert it few seconds later. If the conditions still do not change, please contact customer service at (800)421-6382
Charging time is longer (as compared to the prescribed charging time).	Since charging is carried out at low or high temperature, the charging time becomes longer.	Charge it within a temperature range between 32/104°F.
The battery is warm.	It becomes warm while using the equipment, charging or right after charging. This is normal.	Use the product again after it cools.
When using the equipment Output is not carried out with the battery.	The polarization or terminal of the connected terminal is incorrect. The capacity of the battery is zero. The device is being used in location that is too hot or too cold. The power switch is not on.	Connect it properly after verifying the terminal. Please charge the battery. Use it within a temperature range between 32/104°F.
The usage time of the battery is short.	The capacity of the battery is zero. The battery has come to the end of its life.	Use it within a temperature range between 32/104°F. Please charge the battery. When the usage time has become extremely short even after the battery is completely charged, it means it has come to the end of its life.

\*The longevity of the battery may differ depending on the conditions of usage.

## Care Instructions

- To clean the device, first wipe with a damp cloth, before drying with a clean cloth.