

Parts List



File No.

Air Conditioner

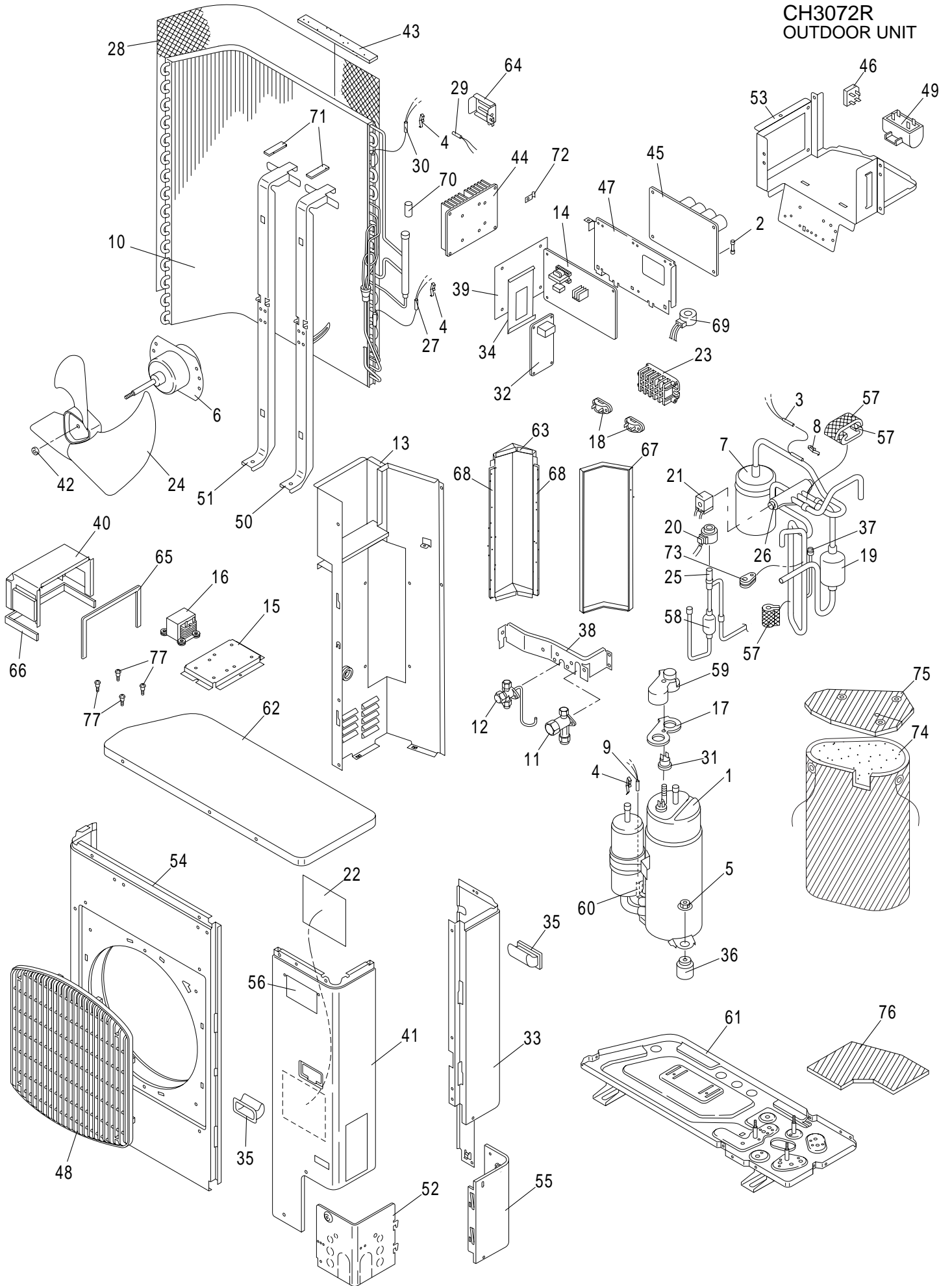
OUTDOOR UNIT
CH3072R

Made in China

Model No.	Prod.Code	Volt-Phase-Hertz
CH3072R	1 854 028 21	220-240-1-50/60

REFERENCE No.PL 833286

CH3072R
OUTDOOR UNIT



ATTENTION !

To ensure correct parts supply, please let us know followings,
when you make service parts order:

1.Part No. 2.Description 3.Q'ty 4.Volts-Hz-Ph 5.Product Model No.

CH3072R
OUTDOOR UNIT

Key No.	Part No.	Description	Q'ty	Reference No.
* 1	623 184 3171	Compressor Ass'y C-7RVN153H0U	1	854-0-4525-30000
* 2	623 191 5724	Fuse SKM7 25A	1	1FA-4-S3A0-23000
* 3	623 181 1897	Thermistor DTN-C532G3H-TKS2	1	1FA-4-V2E0-30500
4	623 148 5876	Mounting Thermostat	3	852-2-5303-22401
5	623 029 6497	Nut Special Ass'y	3	851-0-2395-10201
* 6	623 191 5717	Fan Motor DAJ12-95B61A	1	1FA-4-M4A0-12000
7	623 181 1873	Accumulator Ass'y	1	854-0-4517-50201
8	623 169 6487	Mounting Thermostat	1	852-2-5303-24801
* 9	623 166 4141	Thermistor DTNC583G3UTKS236	1	1FA-4-V2E0-12000
* 10	623 181 2283	Heat Exch Ass'y	1	854-0-4124-49100
11	623 181 1965	Valve Ass'y 5/8 in.	1	854-0-4506-28500
12	623 181 1958	Valve Ass'y 3/8 in.	1	854-0-4504-32300
13	623 191 5755	Partition Plate Ass'y	1	854-0-2516-321H2
* 14	623 192 1909	Controller Ass'y CR-CH4872R	1	854-9-9536-05286
15	623 191 5731	Mounting Plate	1	854-2-2361-96311
* 16	623 181 2269	Solenoid R502AH14-T23	1	1FA-4-L5C0-11900
17	626 040 1007	Gasket Terminal	1	801-2-5303-14200
18	623 140 7595	Clip Wire	2	852-2-5304-16700
19	623 184 9555	Muffler C1220T-H	1	854-2-4519-12800
* 20	623 171 5874	Magnetic Coil UKV-U013E	1	1FA-4-L8A0-19700
* 21	623 191 5779	Magnetic Coil STF-01AQ503UA1	1	8FA-0-5251-17600
22	623 191 6042	Elec. Wiring Diagram	1	8FA-2-5257-71800
* 23	623 181 1989	Terminal Base HP-T3041-C3E2-L6	1	1FA-4-J3A0-24700
24	623 173 6893	Propeller Fan Ass'y	1	854-2-2539-10610
* 25	623 170 4267	Solenoid Control Valve UKV-18D13	1	854-2-4548-15000
* 26	623 191 5809	Reversing Valve STF-02U2G	1	854-2-4508-19000
* 27	623 166 4660	Thermistor DTNC532G3HTKS232	1	1FA-4-V2E0-12100
28	623 181 2047	Guard	1	854-2-1113-27500
* 29	623 166 4233	Thermistor DTNC532G3HTKS238	1	1FA-4-V2E0-11600
* 30	623 181 2030	Thermistor	1	1FA-4-V2E0-30300
* 31	623 191 5793	Thermostat CS-7L110	1	4-2339-60062
* 32	623 192 1916	P.C.B. Ass'y HIC-CH2672R	1	854-9-9536-05288
33	623 191 5854	Rear Panel	1	854-2-1103-366H2
34	623 191 5847	Sheet	1	1FA-4-G1A0-08900
35	623 181 2115	Knob	2	854-2-1311-131H1
36	623 105 6106	Cushion Rubber	3	851-2-2390-15600
* 37	623 191 5830	Sw K ACB-4UB45W	1	8FA-0-5257-03700
38	623 181 2092	Support valve	1	854-2-4129-32501
39	623 191 5823	Sheet	1	1FA-4-G1A0-08800
40	623 191 5816	Mounting Plate Ass'y	1	854-0-2323-68711
41	623 191 5892	Front Panel	1	854-2-1116-192H5
42	623 095 4960	Washer Special	1	854-2-1355-13300
43	638 019 4452	Packing	1	854-2-2366-51900
44	623 191 5885	Cooler A6063S-T5	1	854-2-5325-19301
* 45	623 192 1923	P.C.B. Ass'y FIL-CH4872R	1	854-9-9536-05287
* 46	407 003 7003	Diode DBA250G	1	DDDBA250G---N
47	623 181 2023	Elec Component Box	1	854-2-5306-25901
48	623 191 5861	Guard	1	854-2-1113-21912
* 49	623 181 2320	Fixed Capacitor RU23B406R2396X	1	1FA-4-C1A0-09200
50	623 191 6066	Base Ass'y, Fan Motor	1	854-0-2507-21311

NOTE: Metal and plastic parts will be supplied basically with necessary heat insulation pads or packing. Each key number with an asterisk (*) means the recommended service parts.

ATTENTION !

To ensure correct parts supply, please let us know followings,
when you make service parts order:

1.Part No. 2.Description 3.Q'ty 4.Volts-Hz-Ph 5.Product Model No.

CH3072R
OUTDOOR UNIT

Key No.	Part No.	Description	Q'ty	Reference No.
51	623 191 6059	Support Fan Motor	1	854-2-2516-38621
52	623 191 5939	Cover Plate	1	854-2-2342-87411
53	623 181 2016	Elec Component Box Ass'y	1	854-0-5311-01601
54	623 191 5922	Front Panel	1	854-2-1116-19112
55	623 191 5915	Cover Plate	1	854-2-1133-43211
56	623 191 5908	Badge	1	854-2-1354-24712
57	623 052 9359	Vibration Insulation	3	852-2-2475-15400
58	623 101 8968	Strainer Ass'y	1	854-0-4522-13100
59	623 095 7985	Cover Terminal	1	801-2-6194-13400
60	623 125 0184	Mounting Thermostat C1220T-OL-00	1	852-2-5303-17700
61	623 191 5991	Bottom Plate Ass'y	1	854-0-2204-58811
62	623 191 5984	Top Panel	1	854-2-1112-394H3
63	623 191 5977	Mounting Plate Ass'y	1	854-0-2323-68611
64	623 191 5960	Mounting Plate	1	854-2-5309-22411
65	623 192 1947	Packing	1	854-2-2366-71710
66	623 192 1930	Packing	1	854-2-2366-72310
67	623 181 2962	Packing	1	854-2-2366-71600
68	623 181 3037	Packing	2	854-2-2366-72200
* 69	623 191 6011	Transformer Ass'y CL-9	1	8FA-0-5263-04400
70	623 170 8364	Insulation Special	1	854-2-2411-33100
71	623 188 5447	Packing	2	854-2-2366-70300
72	623 191 6004	Mounting Plate	1	854-2-2362-06801
73	623 191 6035	Protection Rubber	1	854-2-2356-18300
74	623 181 2221	Snd Ins Compr	1	854-2-2422-35100
75	623 181 2108	Snd Ins Compr	1	854-2-2422-35000
76	623 169 3585	Snd Ins Compr	1	854-2-2422-25800
77	623 163 8074	Screw Special SWCH18A	4	852-2-2396-15401
	623 191 6028	Operation Manual	1	854-6-4189-78800

NOTE: Metal and plastic parts will be supplied basically with necessary heat insulation pads or packing.
Each key number with an asterisk (*) means the recommended service parts.

For Parts or Service Contact
SANYO HVAC SERVICE CENTER
SANYO Fisher Service Company
1165 Allgood Road, Suite 22, Marietta, GA 30062 U.S.A.
300 Applewood Crescent, Concord, Ontario, L4K 5C7, CANADA
1/06 Printed in Japan