



FILE NO.

**NOTICE**

- CORRECTION                       PRODUCTION CHANGE
- SERVICE FLASH                       ADD INFORMATION

PLEASE ADD THIS NOTICE TO THE MANUALS LISTED BELOW.

CATEGORY : AIR CONDITIONER	DATE : Apr.2011
MODEL : CL1271	REF.No. : PL 706233
DESTINATION : U.S.A	ISSUE No. : 2

THE REASON OF CHANGE.

- A: Misprint  
D: Design Change
- B: Quality Reliability  
E: Addition of Missing Parts
- C: Standardization  
F: Parts Compatibility

Page & Section	Key No.		Part No.	Description	Q'ty	Reference Part No.	Interchange-ability	Re-marks
Page 2	38, 40, 44, 45	Old	-	(Deletion of Key No.)	-	-	---	
		New	-	-	-	-	---	
Page 2	56	Old	-	(Addition of Illustration)	-	-	---	E
		New	-	-	-	-	---	
Page 3	2	Old	623 190 7866	Bottom Plate Ass'y	1	852-0-2202-79801	---	D
		New	623 317 3405	Bottom Plate Ass'y	1	852-0-2202-79811	---	
Page 3	6	Old	623 190 7835	Mounting Plate, Fan Motor	1	852-2-2354-29910	---	D
		New	623 317 3092	Mounting Plate, Fan Motor	1	852-2-2354-29921	---	
Page 3	8	Old	623 190 7828	Partition Plate	1	852-2-2202-40311	---	D
		New	623 317 3085	Partition Plate	1	852-2-2202-40321	---	
Page 3	9	Old	623 190 7941	Elec. Component Box	1	852-2-5307-70301	---	
		New	623 317 3412	Controller Assy(Including PCB)	1	852-2-9536-05483	---	
Page 3	10	Old	623 190 7934	Side Panel	1	852-2-1114-40810	---	D
		New	623 317 3139	Side Panel	1	852-2-1114-40800	---	
Page 3	11	Old	623 190 8146	Side Panel	1	852-2-1114-39411	---	D
		New	623 317 3122	Side Panel	1	852-2-1114-39402	---	
Page 3	14	Old	623 190 7903	Cabinet	1	852-2-1112-30711	---	D
		New	623 317 3115	Cabinet	1	852-2-1112-30702	---	
Page 3	17	Old	623 190 7958	Cover Ass'y	1	852-0-2309-24800	---	D
		New	623 317 3160	Cover Ass'y	1	852-0-2309-24810	---	
Page 3	20	Old	623 190 8153	Support Valve	1	852-2-2222-38111	---	D
		New	623 317 3153	Support Valve	1	852-2-2222-38122	---	
Page 3	21	Old	623 090 6907	Deltite Screw	4	3-9201-61601	---	D
		New	623 314 7437	S Tite Screw	4	3-9204-61601	---	
Page 3	22	Old	623 178 2586	Valve Ass'y 1/4"	1	852-0-4515-40200	---	D
		New	623 317 3429	Valve Ass'y 1/4"	1	852-0-4515-45100	---	
Page 3	29	Old	623 190 7972	Conduit Plate	1	852-2-1319-44800	---	D
		New	623 317 3184	Conduit Plate	1	852-2-1319-44810	---	
Page 3	38	Old	623 190 8016	Cover, Elec. Component Box Ass'y	1	852-0-5302-30400	---	
		New	-	(Deletion of Part No.)	-	-	---	
Page 3	40	Old	623 190 7996	Cooler A6063S-T5	1	852-2-4127-24001	---	
		New	-	(Deletion of Part No.)	-	-	---	
Page 3	42	Old	623 178 2661	Insulation	1	852-2-2476-68300	---	D
		New	623 317 3177	Insulation	1	852-2-2476-73400	---	
Page 4	44	Old	623 190 8276	Circuit Board Ass'y CB-CL1271-C	1	8FA-0-5181-20400	---	
		New	-	(Deletion of Part No.)	-	-	---	
Page 4	45	Old	623 190 8252	Elec. Wiring Diagram	1	8FA-2-5257-69300	---	
		New	-	(Deletion of Part No.)	-	-	---	
Page 4	49	Old	623 190 8122	Mounting Plate	1	852-2-2309-97611	---	D
		New	623 178 2708	Mounting Plate	1	852-2-2309-97601	---	
Page 4	52	Old	623 190 8115	Cover, Elec. Component Box	1	852-2-5315-49001	---	D
		New	623 317 3191	Cover, Elec. Component Box	1	852-2-5315-49011	---	
Page 4	56	Old	-	-	-	-	---	E
		New	623 317 3207	Mounting Plate	1	852-2-2385-17900	---	

(1) Parts changed.

# Parts List



File No.

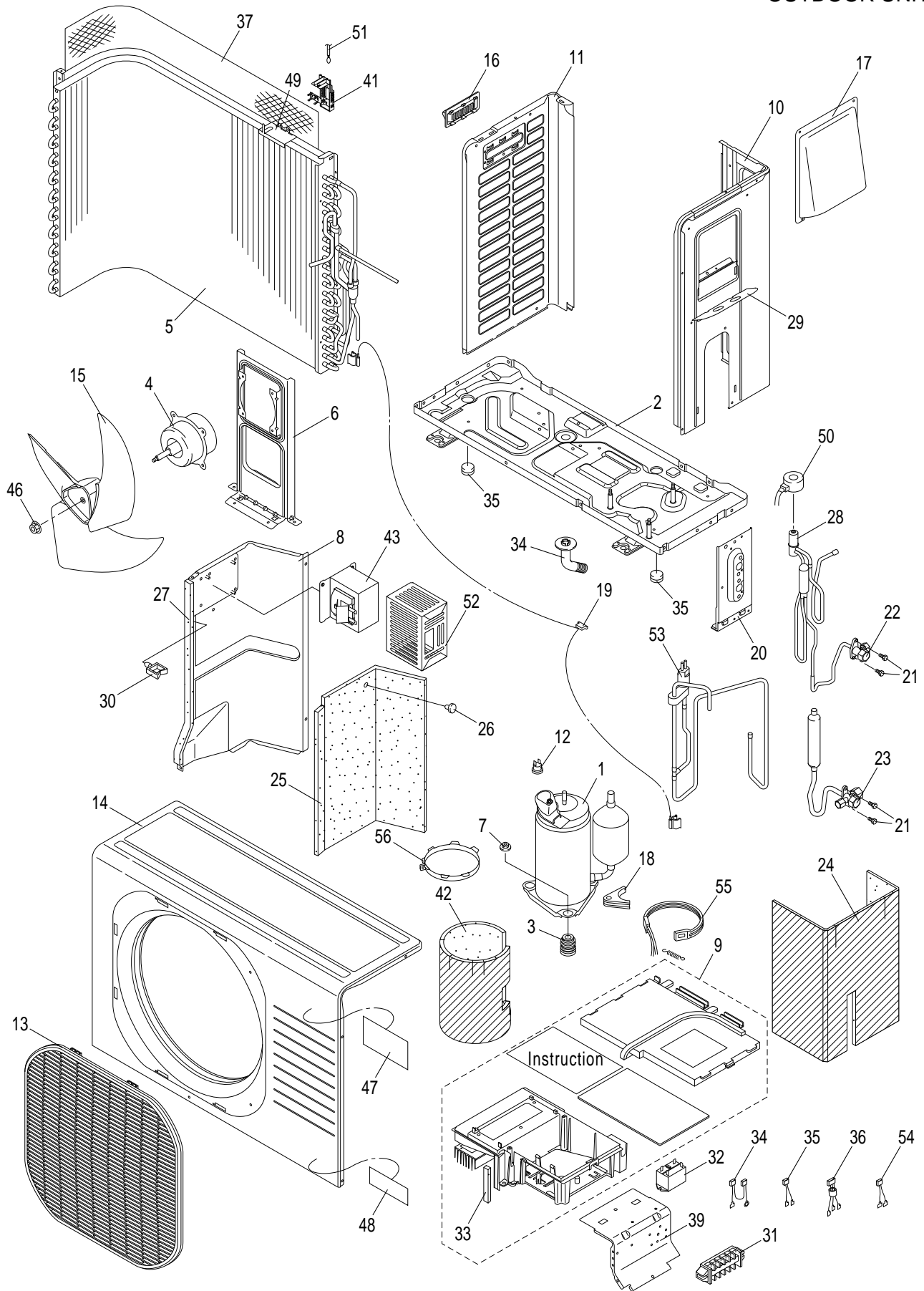
# Air Conditioner

OUTDOOR UNIT  
CL1271

---

Model No.	Prod.Code	Volt-Phase-Hertz
CL1271	1 852 330 26	115-1-60

CL1271  
OUTDOOR UNIT



**ATTENTION !**

To ensure correct parts supply, please let us know followings,  
when you make service parts order:

1.Part No. 2.Description 3.Q'ty 4.Volts-Hz-Ph 5.Product Model No.

CL1271  
OUTDOOR UNIT

KeyNo.	Part No.	Description	Q'ty	Reference No.
* 1	623 190 7873	Comp Sub Ass'y G4C090LU1ER	1	852-0-4526-33800
2	623 317 3405	Bottom Plate Ass'y	1	852-0-2202-79811
3	623 163 7497	Cushion Rubber	3	852-2-2390-23100
* 4	623 190 7859	Fan Motor DAJ12-55J71-CU	1	1FA-4-M4A0-07750
5	623 190 8139	Heat Exch Cond Ass'y	1	852-0-4119-21300
6	623 317 3092	Mounting Plate, Fan Motor	1	852-2-2354-29921
7	623 163 5646	Nut Special	3	852-2-2226-10301
8	623 317 3085	Partition Plate	1	852-2-2202-40321
* 9	623 317 3412	Controller Assy(Including PCB)	1	854-9-9536-05483
10	623 317 3139	Side Panel	1	852-2-1114-40800
11	623 317 3122	Side Panel	1	852-2-1114-39402
* 12	623 190 7637	Thermostat CS-7L115	1	4-2339-60069
13	623 190 7910	Guard	1	852-2-1321-22611
14	623 317 3115	Cabinet	1	852-2-1112-30702
15	623 190 7897	Propeller Fan	1	852-2-2502-19411
16	623 190 7880	Handle	1	852-2-2303-17711
17	623 317 3160	Cover Ass'y	1	852-0-2309-24810
18	623 171 9520	Mounting Rubber, Tube	1	852-2-4313-11000
* 19	623 181 1392	Thermistor DTN-TKS274Y	1	1FA-4-V2E0-25700
20	623 317 3153	Support Valve	1	852-2-2222-38122
21	623 314 7437	S Tite Screw	4	3-9204-61601
22	623 317 3429	Valve Ass'y 1/4"	1	852-0-4515-45100
23	623 178 2579	Valve Ass'y 3/8"	1	852-0-4518-26200
24	623 177 7193	Insulation	1	852-2-2476-68100
25	623 178 2609	Insulation	1	852-2-2476-67500
26	623 143 2009	Clip	1	852-2-5327-10600
27	623 190 7989	Packing	1	852-2-2380-75610
28	623 178 2593	Elec Exp Valve Ass'y CPF-18D02	1	852-0-4524-16900
29	623 317 3184	Conduit Plate	1	852-2-1319-44810
30	623 176 7224	Saddle	1	851-2-5368-00800
31	623 096 5041	Terminal Base JTU20-6U	1	4-2379-56228
* 32	623 190 7965	Power Relay EL100/120A1-F(M)-C	1	1FA-4-S2A0-20600
33	623 190 8047	Packing	1	852-2-2380-98010
* 34	623 190 8085	Wire Ass'y	1	8FA-0-5285-68900
* 35	623 190 8078	Wire Ass'y	1	8FA-0-5285-69000
* 36	623 190 8030	Wire Ass'y COMP SIDE WIRE K	1	8FA-0-5285-78800
37	623 178 2739	Guard	1	852-2-1321-23200
39	623 190 8009	Mounting Plate	1	852-2-2385-15301
41	623 171 9278	Mounting Thermostat	1	852-2-5303-24501
42	623 317 3177	Insulation	1	852-2-2476-73400

NOTE: Metal and plastic parts will be supplied basically with necessary heat insulation pads or packing. Each key number with an asterisk (\*) means the recommended service parts.

## ATTENTION !

To ensure correct parts supply, please let us know followings,  
when you make service parts order:

1.Part No. 2.Description 3.Q'ty 4.Volts-Hz-Ph 5.Product Model No.

CL1271  
OUTDOOR UNIT

KeyNo.	Part No.	Description	Q'ty	Reference No.
* 43	623 155 6378	Solenoid R502ADS-T	1	1FA-4-L5C0-02900
46	623 097 4500	Frang Nut	1	3-9277-06021
47	623 178 2630	Mark	1	852-2-1316-42901
48	623 161 1497	Label	1	854-2-1358-95900
49	623 178 2708	Mounting Plate	1	852-2-2309-97601
* 50	623 178 2692	Magnetic Coil YPF-Y018F	1	1FA-4-L8A0-33100
* 51	623 171 9421	Thermistor DTN-TKS269B	1	1FA-4-V2E0-15700
52	623 317 3191	Cover,Elec.Component Box	1	852-2-5315-49011
53	623 195 8127	Pressure Switch ACB-1UB24W	1	1FA-4-S1H0-00400
* 54	623 190 8092	Wire Ass'y REACTOR SIDE WIR	1	8FA-0-5285-79300
* 55	623 190 8221	Heater K	1	8FA-0-5255-02800
56	623 317 3207	Mounting Plate	1	852-2-2385-17900

NOTE: Metal and plastic parts will be supplied basically  
with necessary heat insulation pads or packing.  
Each key number with an asterisk (\*) means the  
recommended service parts.

For Parts or Service Assistance please contact your local Sanyo HVAC Contractor or Distributor

United States: SCS, HVAC Solutions

Web: [www.SanyoHVAC.com](http://www.SanyoHVAC.com)

Parts: [hvac.parts@sna.sanyo.com](mailto:hvac.parts@sna.sanyo.com)

Service: [hvac.service@sna.sanyo.com](mailto:hvac.service@sna.sanyo.com)

Canada: Sanyo Canada Inc.

Web: [www.SanyoHVAC.com](http://www.SanyoHVAC.com)

Parts/Service: [hvac@sci.sanyo.com](mailto:hvac@sci.sanyo.com)

Apr / '11 Printed in Japan