

## 4CH MPEG4 DIGITAL VIDEO RECORDER

**DSR-2004Hxxx**

- MPEG 4 Recording for Low Bit Rate, High Picture Quality, and Optimal Storage Capability
- 160 or 300 GB Storage Capacity
- Recording Speed up to 120 ips
- Camera Recording Rates are Individually Adjustable from 1 to 30 ips
- Up to 720 x 480 Recording Resolution
- Triplex Capability - Simultaneous Recording, Playback, and Network Monitoring
- Built-in Motion Detection for Alarm Recording
- LIVE Capture Allows Still Image Output of Live Images
- Easy Search Functions - Event Search, Time/Date Search, Time Line Search
- PTZ Telemetry Control Capability
- IR Remote Control (Included) of up to Nine DVRs
- Supports Composite and VGA Monitor Outputs
- Two Way Audio Over the Network
- Easy Backup of BMP or JPEG Still Images and AVI Files with USB Memory Stick
- Supports DHCP for Automatic IP Address Assignment
- Also Supports TCP/IP, SMTP & PPPoE
- Supports up to Four Concurrent Network Users
- Auto Recording with Optimum File Size

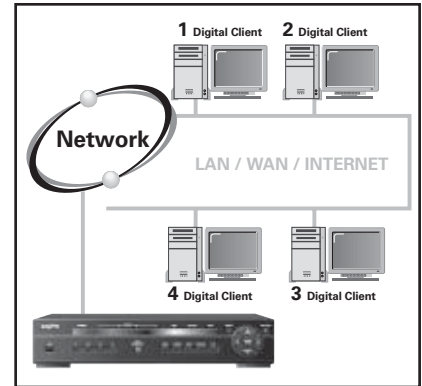


# 4CH MPEG4 DIGITAL VIDEO RECORDER

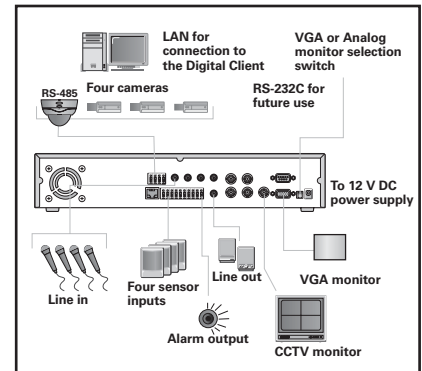
## Specifications

<b>MODEL</b>	<b>DSR-2004Hxxx</b>
<b>Hard disk capacity</b>	160GB or 300GB
<b>Picture resolution</b>	720 x 240, 360 x 240 (pixels)
<b>Compression</b>	MPEG4
<b>Picture quality</b>	3 levels (Basic, Normal, Fine)
<b>Recording speed</b>	120IPS / 4ch (360 x 240/ch), 30 IPS / 4ch (720 x 480/ch)
<b>Still image capture</b>	720 x 480, 360 x 240
<b>Number of cameras</b>	4
<b>Menu language</b>	English / French / Spanish / German / Italian / Chinese / Russian / Japanese
<b>Clock setup</b>	Month / Day / Year / Hour / Minute / Second
<b>Search mode</b>	Event Search, Time / Date Search, Time line Search
<b>Video signal format</b>	NTSC standard (color) / EIA standard (B/W) auto select, 525 lines, 120 IPS
<b>Video input</b>	VBS / VS 1.0 V (p-p) 75 Ω BNC x 4
<b>VGA</b>	VGA x1
<b>Video main monitor output</b>	VS 1.0 V (p-p) 75 Ω BNC x 1
<b>Audio input</b>	-8 dBs 27 kΩ unbalanced RCA x 4
<b>Audio output</b>	-8 dBs 600 Ω unbalanced RCA x 1
<b>Backup USB</b>	Still image and Video date
<b>Network Interface</b>	ADSL, LAN / Dynamic IP supported
<b>Network Protocols</b>	TCP/IP, DHCP, SMTP, PPPoE
<b>Network LAN port</b>	10BASE-T / 100BASE-TX
<b>Control signal</b>	
<b>Sensor alarm input</b>	x 4
<b>Alarm output</b>	x 1
<b>Communications Protocols:</b>	
<b>RS-485</b>	SANYO, Pelco-D, Vicon, Kalatel, Sensormatic, Elmo, Cannon
<b>Electrical</b>	
<b>Power source</b>	AC Adapter (Input: AC 100-240V, Output: 12V DC)
<b>Power consumption</b>	25W
<b>Operating conditions</b>	Temperature: 5°C to 40°C (41°F to 104°F), Humidity: 80% or less
<b>Dimensions</b>	350(W) x 65(H) x 260(D) mm (13.8(W) x 2.6(H) x 10.2(D) in.)
<b>Weight</b>	3.2kg [112.9 oz.] (with one HDD unit)

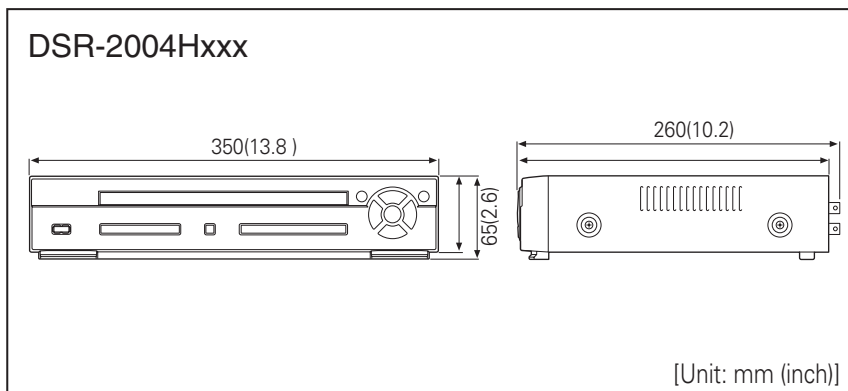
## DSR-2004Hxxx Supports up to Four Concurrent Digital Client Users



## The Rear Panel Provides Terminals for Essential Devices



## Dimensions



# SANYO

SANYO Security Products  
 21605 Plummer Street  
 Chatsworth, CA 91311  
 Phone: (888) 893-7403  
 Fax: (888) 818-2597  
 Technical Support: (888) 66-SANYO  
[www.sanyocctv.com](http://www.sanyocctv.com)