



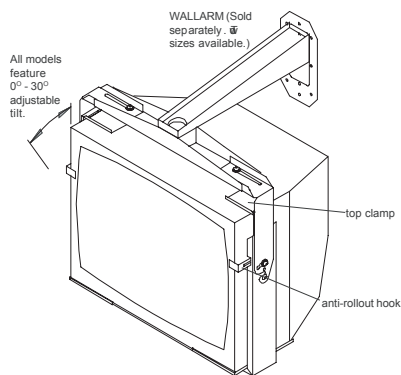
Yoke-Style Hanging Monitor Mounts for 13" to 21" Monitors

- 0° to 30° Adjustable Tilt, 360° Swivel
- Top and Front Roll Out Protection
- Height and width Adjustable to Exact Dimensions of Monitor
- Available for 13" to 21" Monitors (Check Dimensions for Compatibility)
- Heavy Gage Steel Construction
- Scratch Resistant Black Fused Epoxy Finish
- Hardware for Attachment to Mounting Fixture (Wall Arm or Ceiling Plate) Included
- Wall Arm and Ceiling Plate Sold Separately

J M 2 6 3 0
J M 2 6 4 0
W M J 0 1 8
C M J 4 7 0



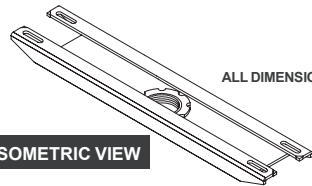
* Shown with Ceiling Plate



* Shown with Wall Arm

JM2630 JM2640 WMJ018 CMJ470

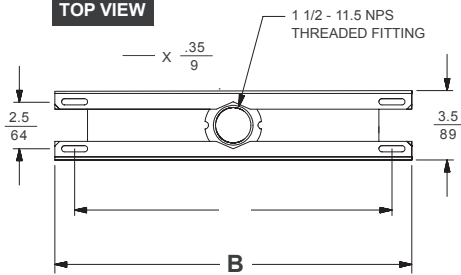
MODEL CMJ470



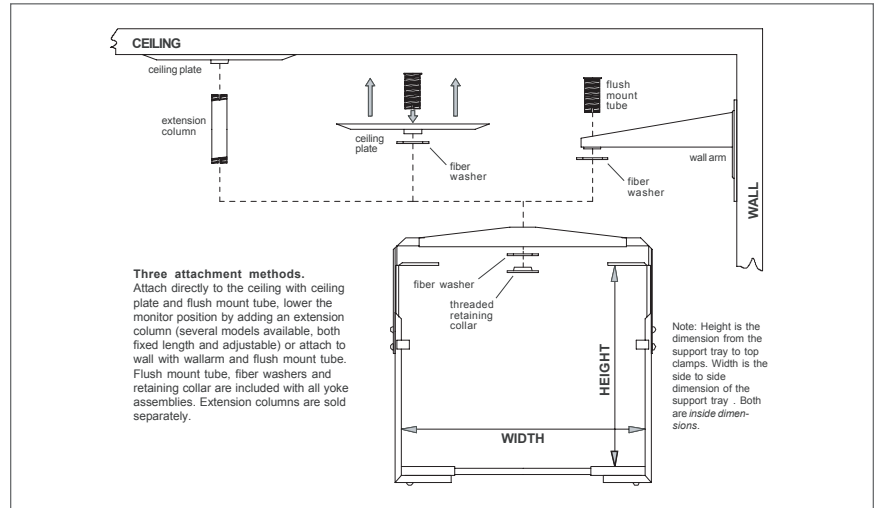
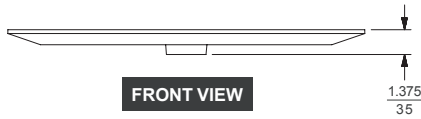
ALL DIMENSIONS: INCH
MM

ISOMETRIC VIEW

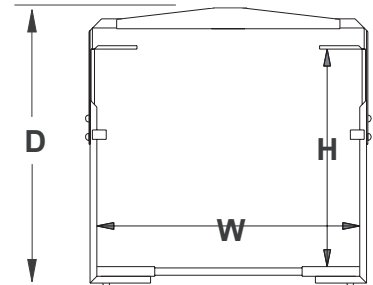
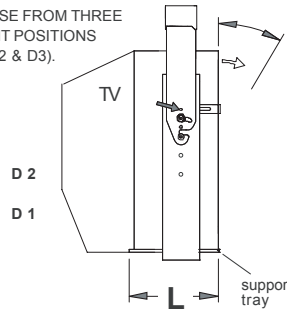
TOP VIEW



FRONT VIEW



CHOOSE FROM THREE HEIGHT POSITIONS (D1, D2 & D3).



Specifications and product design are subject to change without notice.
©2003 SANYO Security Video

Mechanical Specifications for Adaptors

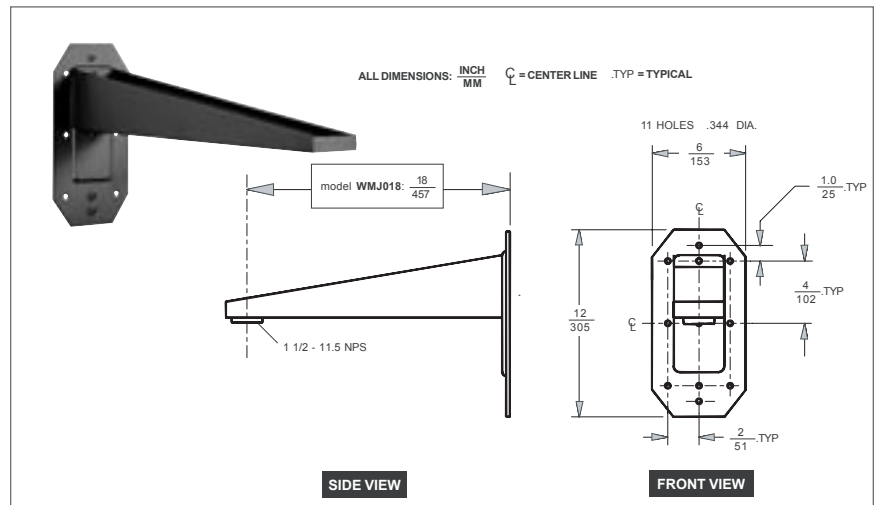
Model	Width (W)	Height (H)	Drop (D)	Tray Depth	Product Weight	Shipping Weight	Diagonal Screen Size
JM2630	13.5 – 21 in. (343 – 533 mm)	11.4 – 17.7 in. (290 – 450 mm)	19.35 – 23.35 in. (491 – 593 mm)	10 in. (254 mm)	20 lbs. (9 kg)	22 lbs. (10 kg)	13 – 17 in. (330 – 432 mm)
JM2640	18 – 26 in. (457 – 660 mm.)	14.2 – 20.4 in. (361 – 518 mm)	21.15 – 25.15 in. (537 – 639 mm)	10 in. (254 mm)	22 lbs. (10 kg)	24.1 lbs. (10.9 kg)	19 – 21 in. (483 – 533 mm)

NOTE: Weight of monitor or TV not to exceed maximum load capacity, per above chart.
JM2630 is UL rated up to 17" monitor, per above chart.
JM2640 is UL rated up to 21" monitor, per above chart.

Mechanical Specifications for Yoke Assemblies

Model	Description	Max Load Wood	Max Load Concrete	Product Weight	Shipping Weight	Reach or Length
WMJ018	Wall Arm	125 lbs. (57 kg)	150 lbs. (65 kg)	9.4 lbs. (4.3 kg)	12 lbs. (6 kg)	18 in. (457 mm)
CMJ470	Ceiling Plate Adaptor	300 lbs. (137 kg)	300 lbs. (137 kg)	4.4 lbs. (2 kg)	7 lbs. (3 kg)	18 in. (457 mm)

*products manufactured by Peerless®



SANYO Security Products
21605 Plummer Street
Chatsworth, CA 91311
Phone: (888) 893-7403
Fax: (888) 818-2597
Technical Support: (888) 66-SANYO
www.sanyoctv.com