

Parts List



File No.

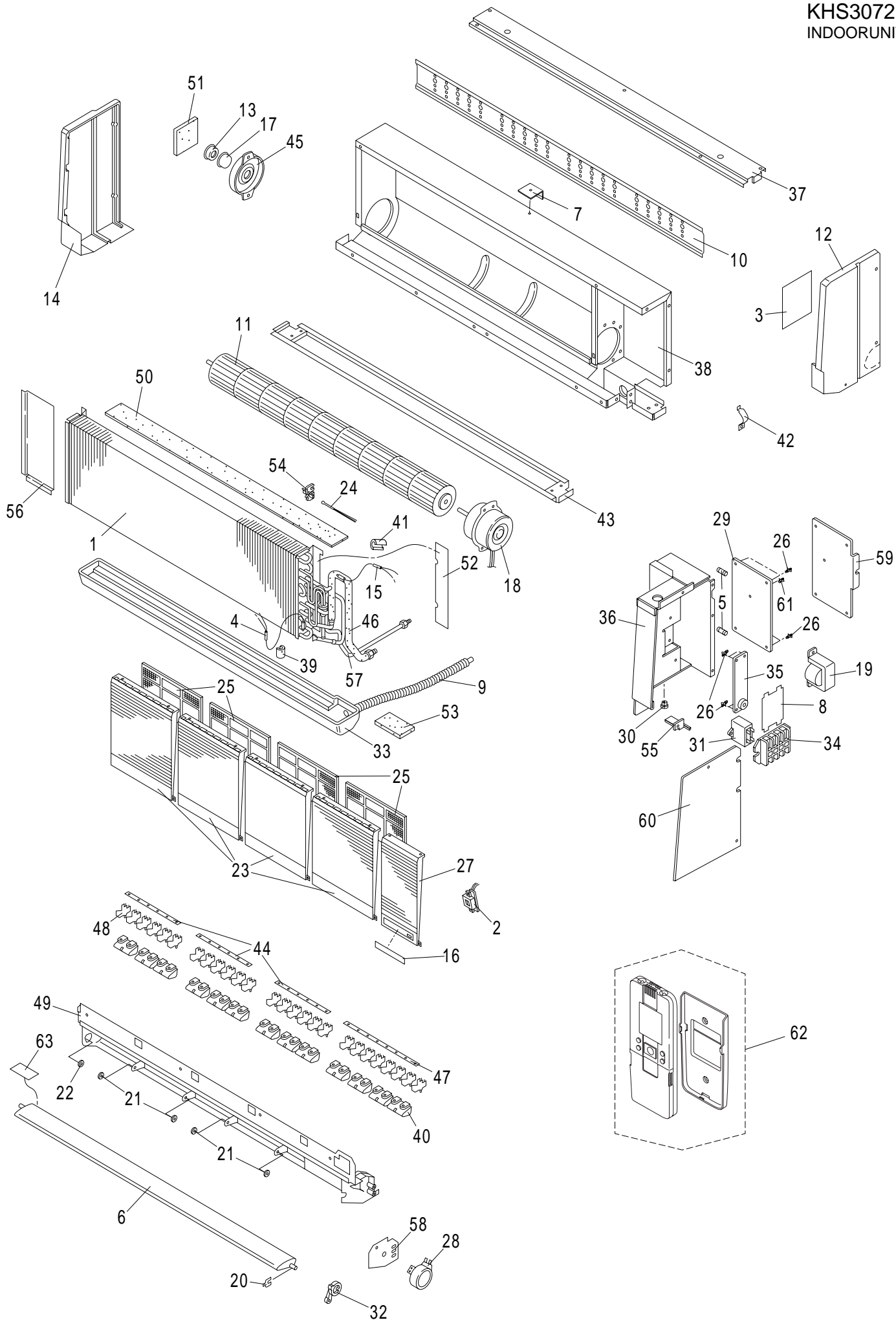
Air Conditioner

INDOOR UNIT
KHS3072R

Made in Japan

Model No.	Prod.Code	Volt-Phase-Hertz
KHS3072R	1 854 033 39	208-230-1-60

REFERENCE No.PL PL833886



ATTENTION !

To ensure correct parts supply, please let us know followings,
when you make service parts order:

1.Part No. 2.Description 3.Q'ty 4.Volts-Hz-Ph 5.Product Model No.

KHS3072R
INDOOR UNIT

Key No.	Part No.	Description	Q'ty	Reference No.
* 1	623 165 4326	Heat Exch Ass'y	1	854-0-4124-14300
* 2	623 191 9586	Switch Ass'y SW-KH3672R	1	8FA-0-5152-02500
3	623 301 0755	Elec. Wiring Diagram	1	8FA-2-5250-05700
* 4	623 162 4893	Thermistor Ass'y PBC-41E-S4	1	854-0-5259-53400
* 5	623 191 6783	Fuse MT3 5A	2	1FJ-4-S3A0-03900
6	623 191 9562	Flap	1	854-2-1515-10411
7	623 072 2941	Cover Plate	1	854-2-1133-18901
8	623 184 6011	Cover UKT25W-4D	1	854-2-5376-00700
9	623 096 3931	Drain Pipe Ass'y	1	854-0-4297-13000
10	623 072 2170	Hook Plate	1	854-2-1130-13001
* 11	638 013 8418	Fan Ass'y	1	854-0-2501-23600
12	623 191 9616	Side Panel	1	854-2-1102-35511
* 13	623 094 4466	Bearing Housing Ass'y	1	852-0-2510-12800
14	623 191 9609	Side Panel	1	854-2-1102-35611
* 15	623 160 1283	Thermistor Ass'y PBC-41E-S4	1	854-0-5259-53300
16	623 191 9593	Badge	1	854-2-1354-19763
17	638 018 1315	Mounting, Bearing	1	854-2-2520-13601
* 18	623 191 9654	Fan Motor Ass'y SFG4Q-41D6P	1	8FA-0-5202-03200
* 19	623 191 9647	Transformer Ass'y ATR-IK244B	1	854-0-5263-19300
20	623 049 1533	Mounting	1	852-2-1514-27002
21	638 003 7209	Mounting	4	852-2-1514-44002
22	623 129 7363	Mounting	1	852-2-1514-42601
23	623 191 9630	Ornamental Plate	4	854-2-1308-25211
* 24	623 191 9623	Thermistor Ass'y KTEC-35-S6	1	854-0-5259-529H1
25	623 191 9692	Frame Filter Ass'y	4	854-0-1302-14411
26	623 097 1677	Spacer SPLSN-6	8	851-2-5366-03800
27	623 191 9685	Ornamental Plate	1	854-2-1308-25311
* 28	623 107 3882	Synchronized Motor M2EA24ZA01	1	528-0-0000-07006
* 29	623 192 1572	Circuit Board Ass'y CR-TH2672	1	854-9-9536-05306
30	623 038 3425	Bushing OCB-875	1	851-2-5370-00900
* 31	638 013 0214	Motor Capacitor UPMDD-4445P2	1	1FJ-4-C1A0-01700
32	623 103 8201	Cam Ass'y	1	852-9-9536-03518
* 33	623 191 9661	Drain Pan Ass'y	1	854-0-2301-361H3
* 34	638 018 1421	Terminal Base UKT25W-4J(C)	1	1FJ-4-J3A0-07300
* 35	623 160 3881	P.C.B.Ass'y CR-KH1U	1	854-0-5178-25600
36	638 018 1452	Elec Component Box Ass'y	1	854-0-5301-75101
37	623 191 9722	Top Plate Ass'y	1	854-0-1105-433H2
38	623 191 9715	Rear Panel Ass'y	1	854-0-1109-214H8
39	623 054 6073	Insulation Tube	1	852-2-4514-28600
40	623 191 9708	Mounting Plate, Blade	13	854-2-2524-10911
41	623 105 0296	Insulation	1	854-2-2403-55700
42	623 093 5914	Band	1	854-2-2313-16401
43	623 191 9760	Bottom Plate	1	854-2-2227-286H2
44	623 098 7913	Fastener Blade	3	854-2-1521-12010
45	638 018 1308	Mounting, Bearing	1	854-2-2520-135H2
46	623 191 9753	Insulation Special	1	854-2-2410-56110
47	623 098 7906	Fastener Blade	1	854-2-1521-11910
48	623 191 9746	Blade Air Guide	26	854-2-1520-14811
49	623 191 9739	Support Louver	1	854-2-1111-225H7
50	623 191 9791	Insulation, Evaporator	1	854-2-2404-30310

NOTE: Metal and plastic parts will be supplied basically with necessary heat insulation pads or packing. Each key number with an asterisk (*) means the recommended service parts.

ATTENTION !

To ensure correct parts supply, please let us know followings,
when you make service parts order:

1.Part No. 2.Description 3.Q'ty 4.Volts-Hz-Ph 5.Product Model No.

KHS3072R
INDOOR UNIT

Key No.	Part No.	Description	Q'ty	Reference No.
51	623 099 5987	Insulation,Cover	1	854-2-1408-35010
52	638 018 1476	Packing	1	854-2-1361-56110
53	623 096 8981	Packing	1	854-2-2336-55810
54	623 124 3575	Support Thermo	1	854-2-2235-13500
55	623 125 4465	Cover Plate	1	854-2-2342-49800
56	623 191 9784	Mounting Plate	1	854-2-4134-603H2
57	623 191 9777	Insulation Special	1	854-2-2411-13610
58	623 130 7000	Mounting Plate	1	854-2-5312-63600
59	638 018 1513	Mounting Plate	1	854-2-5312-97501
60	638 018 1520	Cover,Elec.Component Box	1	854-2-5304-49401
61	623 099 6052	Spacer SPSN-6	1	851-2-5366-04200
*	62 623 301 0731	Remote Control Switch RCS-SH1UA	1	8FA-0-0054-40100
63	638 018 1506	Label	1	854-6-4729-98100

NOTE: Metal and plastic parts will be supplied basically with necessary heat insulation pads or packing.
Each key number with an asterisk (*) means the recommended service parts.

For Parts or Service Contact
SANYO HVAC SERVICE CENTER
SANYO Fisher Service Company
1165 Allgood Road, Suite 22, Marietta, GA 30062 U.S.A.
300 Applewood Crescent, Concord, Ontario, L4K 5C7, CANADA
2/07 Printed in Japan