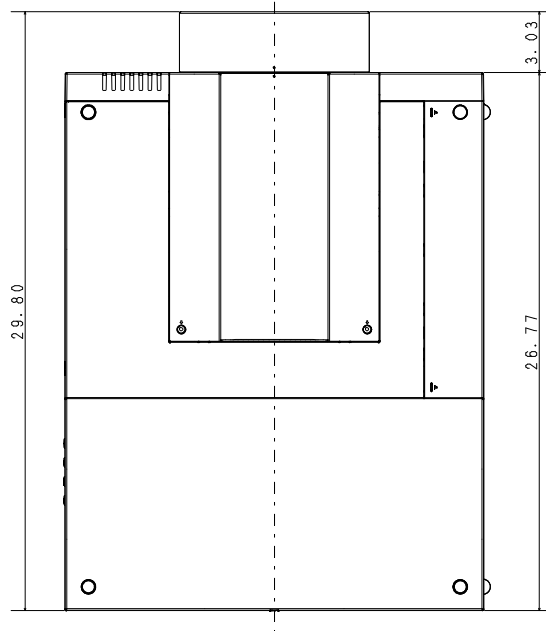
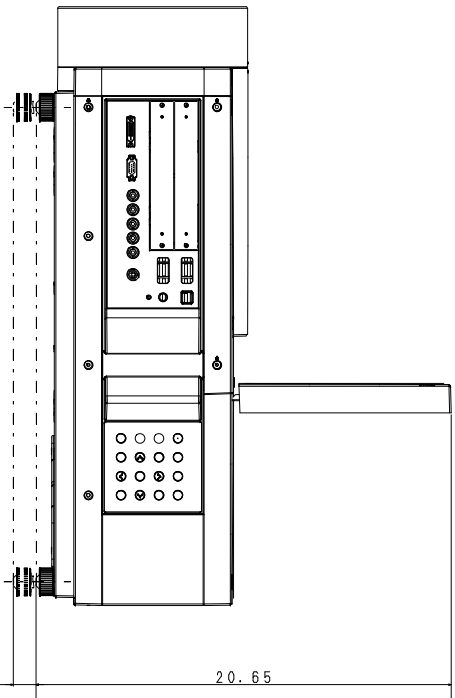
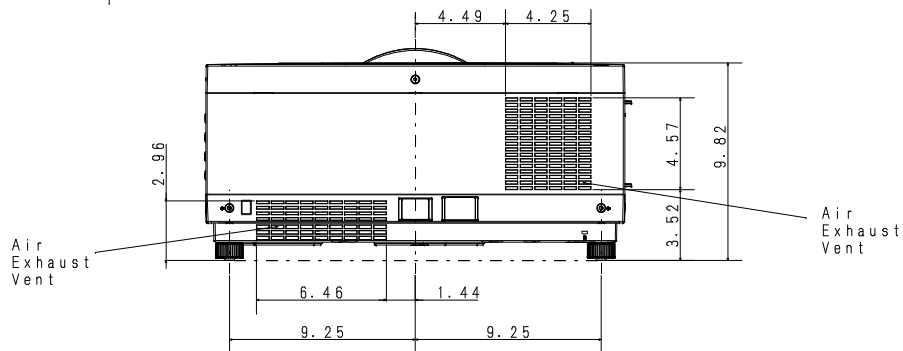
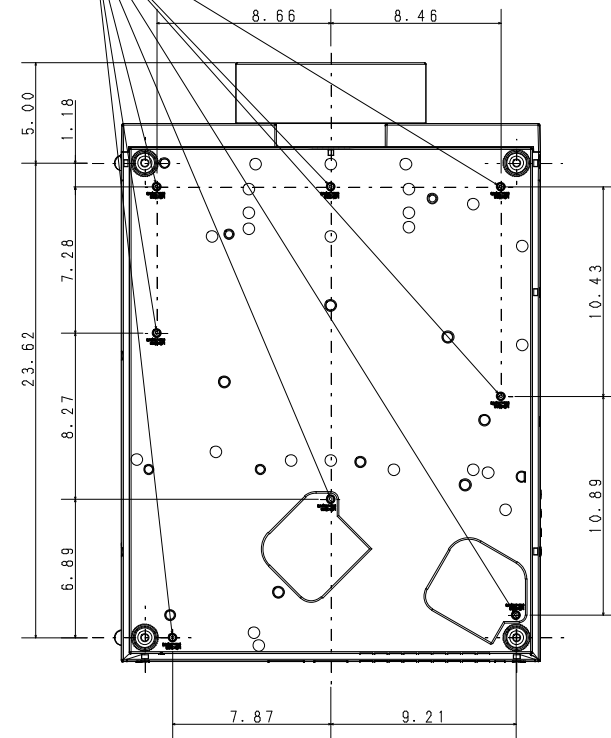
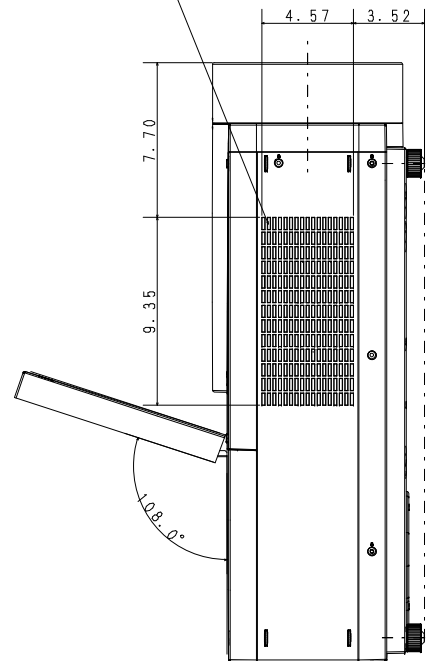


08. 2. 21
(SCALE=1)



Air Intake Vent

8-M8mm DIAMETER
DEPTH MAX 10mm



SET DIM: 20.87 (W) X 10.55 (H) X 29.8 (D) (突起物含む)
Including Projection