

Parts List



File No.

Air Conditioner

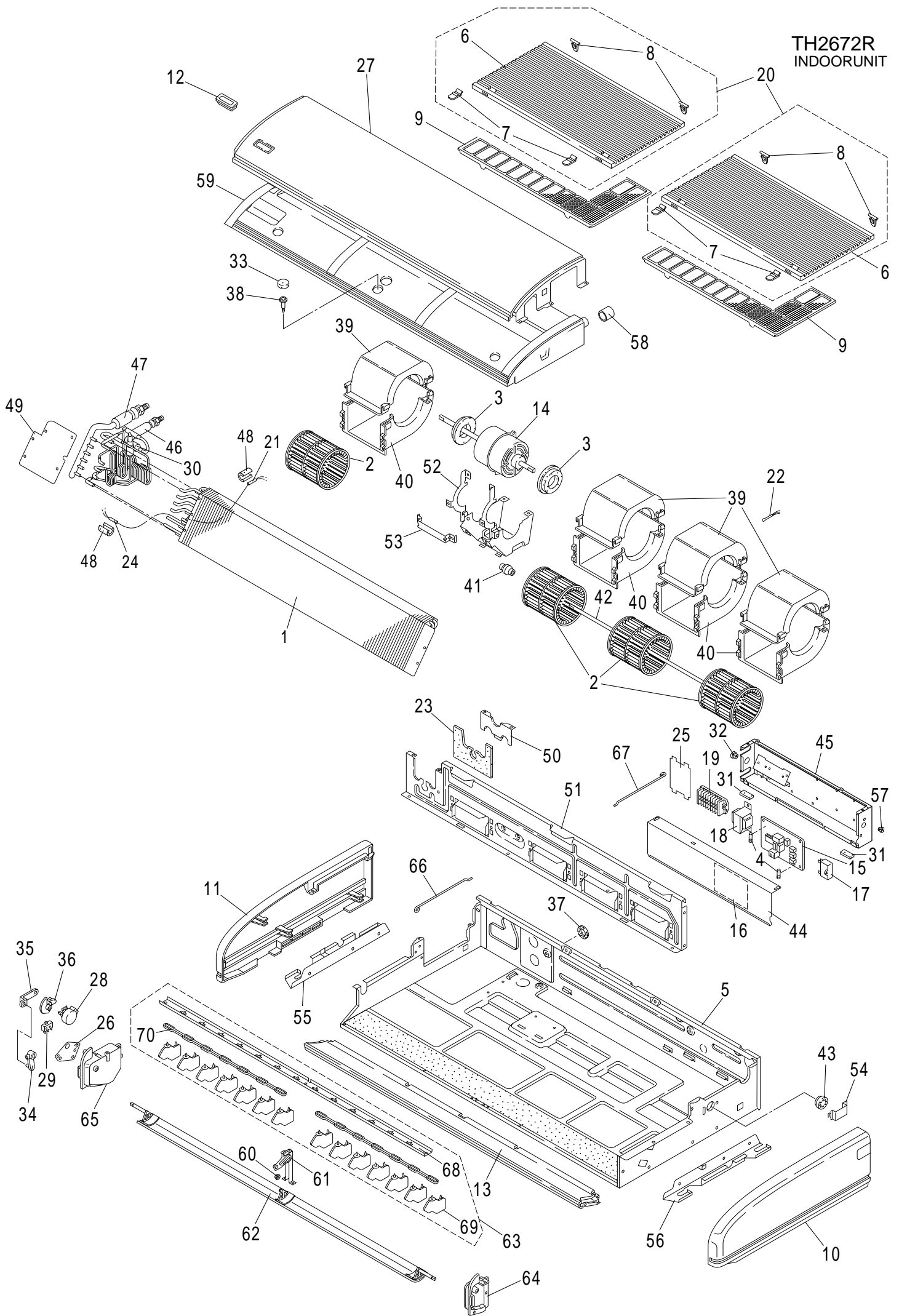
INDOOR UNIT
TH2672R

Made in Japan

| Model No. | Prod.Code | Volt-Phase-Hertz |
|-----------|--------------|------------------|
| TH2672R | 1 854 028 35 | 208-230-1-60 |

REFERENCE No.PL 833297

TH2672R
INDOORUNIT



ATTENTION !

To ensure correct parts supply, please let us know followings,
when you make service parts order:

1.Part No. 2.Description 3.Q'ty 4.Volts-Hz-Ph 5.Product Model No.

TH2672R
INDOOR UNIT

| Key No. | Part No. | Description | Q'ty | Reference No. |
|---------|--------------|----------------------------------|------|------------------|
| * 1 | 623 165 3367 | Heat Exch Ass'y | 1 | 854-0-4119-98600 |
| * 2 | 638 016 3489 | Fan Ass'y | 4 | 854-0-2501-24010 |
| 3 | 623 131 4206 | Cushion Rubber | 2 | 852-2-2511-15900 |
| * 4 | 623 191 6783 | Fuse MT3 5A | 2 | 1FJ-4-S3A0-03900 |
| 5 | 623 192 0131 | Cabinet Ass'y | 1 | 854-9-9536-05298 |
| 6 | 638 016 3595 | Suction Grille | 1 | 854-2-1104-16810 |
| 7 | 638 016 3601 | Hook Plate | 4 | 854-2-1130-23310 |
| 8 | 638 016 3618 | Hook Plate | 4 | 854-2-1130-23410 |
| 9 | 638 016 3625 | Frame Filter Ass'y | 2 | 854-0-1302-22810 |
| 10 | 638 016 3632 | Side Panel | 1 | 854-2-1102-55310 |
| 11 | 638 016 3649 | Side Panel | 1 | 854-2-1102-55410 |
| 12 | 623 192 0155 | Ornamental Plate | 1 | 854-2-1308-288H3 |
| 13 | 623 192 0148 | Top Panel Ass'y | 1 | 854-9-9536-05297 |
| * 14 | 638 016 3472 | Fan Motor Ass'y SR4X-51A6P | 1 | 854-0-5202-20800 |
| * 15 | 623 192 1572 | Circuit Board Ass'y CR-TH2672 | 1 | 854-9-9536-05306 |
| 16 | 623 160 8541 | Elec. Wiring Diagram | 1 | 854-2-5268-92300 |
| * 17 | 623 001 1618 | Fixed Capacitor UPMDD-440V/1.5MF | 1 | 4-2239-56158 |
| * 18 | 623 160 8503 | Transformer Ass'y ATR-IIK244B | 1 | 854-0-5263-18900 |
| * 19 | 638 016 3441 | Terminal Base UKT50-3+15S-2J(A | 1 | 1FJ-4-J3A0-06800 |
| 20 | 623 192 0162 | Suction Grille | 2 | 854-2-1104-168H2 |
| * 21 | 623 160 8527 | Thermistor Ass'y PBC-41E-S14 | 1 | 854-0-5259-51100 |
| * 22 | 623 160 1306 | Thermistor Ass'y KTEC-35-S6 | 1 | 854-0-5259-51000 |
| 23 | 638 016 3793 | Insulation | 1 | 854-2-2403-78310 |
| * 24 | 623 160 8534 | Thermistor Ass'y PBC-41E-S14 | 1 | 854-0-5259-51200 |
| 25 | 623 184 7209 | Cover | 1 | 854-2-5376-00800 |
| 26 | 623 162 8402 | Mounting Plate | 1 | 854-2-5312-71001 |
| 27 | 638 016 3670 | Front Panel | 1 | 854-2-1101-827H3 |
| * 28 | 638 008 2063 | Synchronized Motor MT8-3C | 1 | 528-0-5000-00303 |
| * 29 | 623 192 0186 | Switch Ass'y SS-01GL13-F | 1 | 854-0-5257-11900 |
| 30 | 623 070 9300 | Strainer Ass'y | 1 | 854-0-4522-10400 |
| 31 | 623 192 0179 | Packing | 2 | 854-2-2366-47910 |
| 32 | 623 038 3425 | Bushing | 1 | 851-2-5370-00900 |
| 33 | 638 016 3786 | Packing | 1 | 854-2-2366-44210 |
| 34 | 638 015 0922 | Shaft | 1 | 854-2-1349-13900 |
| 35 | 638 015 0939 | Rod | 1 | 854-2-2329-12600 |
| 36 | 638 015 0946 | Cam | 1 | 854-2-2354-11100 |
| 37 | 638 016 3809 | Cap | 1 | 854-2-2346-14200 |
| 38 | 638 015 0953 | Screw Special | 1 | 854-2-1356-15401 |
| 39 | 638 016 3687 | Blower Casing | 4 | 854-2-2506-19010 |
| 40 | 638 016 3694 | Blower Casing | 4 | 854-2-2506-18810 |
| 41 | 638 015 0984 | Boss Ass'y | 1 | 854-0-2513-11800 |
| 42 | 638 015 0991 | Shaft Ass'y | 1 | 854-0-2518-10800 |
| * 43 | 623 094 4466 | Bearing Housing Ass'y | 1 | 852-0-2510-12800 |
| 44 | 638 016 3700 | Cover,Elec.Component Box | 1 | 854-2-5304-48500 |
| 45 | 638 016 3717 | Elec Component Box Ass'y | 1 | 854-0-5301-73201 |
| 46 | 623 192 0209 | Insulation Special | 1 | 854-2-2411-15010 |
| 47 | 623 192 0193 | Insulation Special | 1 | 854-2-2411-15210 |
| 48 | 623 054 6073 | Insulation Tube | 2 | 852-2-4514-28600 |
| 49 | 623 170 0450 | Mounting Plate,Evaporator | 1 | 854-2-2303-30701 |
| 50 | 638 016 3731 | Cover, Evaporator | 1 | 854-2-2325-313H2 |

NOTE: Metal and plastic parts will be supplied basically with necessary heat insulation pads or packing. Each key number with an asterisk (*) means the recommended service parts.

ATTENTION !

To ensure correct parts supply, please let us know followings,
when you make service parts order:

1.Part No. 2.Description 3.Q'ty 4.Volts-Hz-Ph 5.Product Model No.

TH2672R
INDOOR UNIT

| Key No. | Part No. | Description | Q'ty | Reference No. |
|---------|--------------|-------------------------|------|------------------|
| 51 | 638 015 1066 | Plate Partition Blower | 1 | 854-2-2505-18600 |
| 52 | 638 015 1073 | Support Motor Ass'y | 1 | 854-0-2511-24101 |
| 53 | 638 015 1080 | Support Fan Motor | 1 | 854-2-2516-29000 |
| 54 | 638 015 1097 | Mounting Plate | 1 | 854-2-2361-36901 |
| 55 | 638 015 0618 | Hook Plate | 1 | 854-2-1130-23501 |
| 56 | 638 015 0625 | Hook Plate | 1 | 854-2-1130-23601 |
| 57 | 623 027 4990 | Bushing | 1 | 800-2-5337-17900 |
| 58 | 638 016 3779 | Cap | 1 | 854-2-4133-14910 |
| * 59 | 638 016 3564 | Drain Pan Ass'y | 1 | 854-0-2301-482H2 |
| 60 | 623 159 3243 | Collar | 1 | 854-2-2535-13600 |
| 61 | 623 159 3588 | Support Louver | 1 | 854-2-1111-25001 |
| 62 | 623 192 0223 | Air Guide Ass'y | 1 | 854-0-1115-13510 |
| 63 | 623 192 0216 | Support Louver | 1 | 854-2-1111-253H2 |
| 64 | 638 016 3663 | Side Cover Ass'y, Left | 1 | 854-2-1107-405H2 |
| 65 | 638 016 3656 | Side Cover Ass'y, Right | 1 | 854-2-1108-396H2 |
| 66 | 638 015 1141 | Wire | 1 | 854-2-1310-27401 |
| 67 | 638 015 1158 | Wire | 1 | 854-2-1310-27501 |
| 68 | 623 159 3809 | Support Louver | 1 | 854-2-1111-25300 |
| 69 | 623 192 0940 | Blade Louver | 14 | 854-2-1110-22610 |
| 70 | 623 192 0933 | Mounting Plate | 2 | 854-2-1129-93310 |

NOTE: Metal and plastic parts will be supplied basically with necessary heat insulation pads or packing. Each key number with an asterisk (*) means the recommended service parts.

For Parts or Service Contact
 SANYO HVAC SERVICE CENTER
 SANYO Fisher Service Company
 1165 Allgood Road, Suite 22, Marietta, GA 30062 U.S.A.
 300 Applewood Crescent, Concord, Ontario, L4K 5C7, CANADA
 2/06 Printed in Japan