

# Parts List



File No.

## Air Conditioner

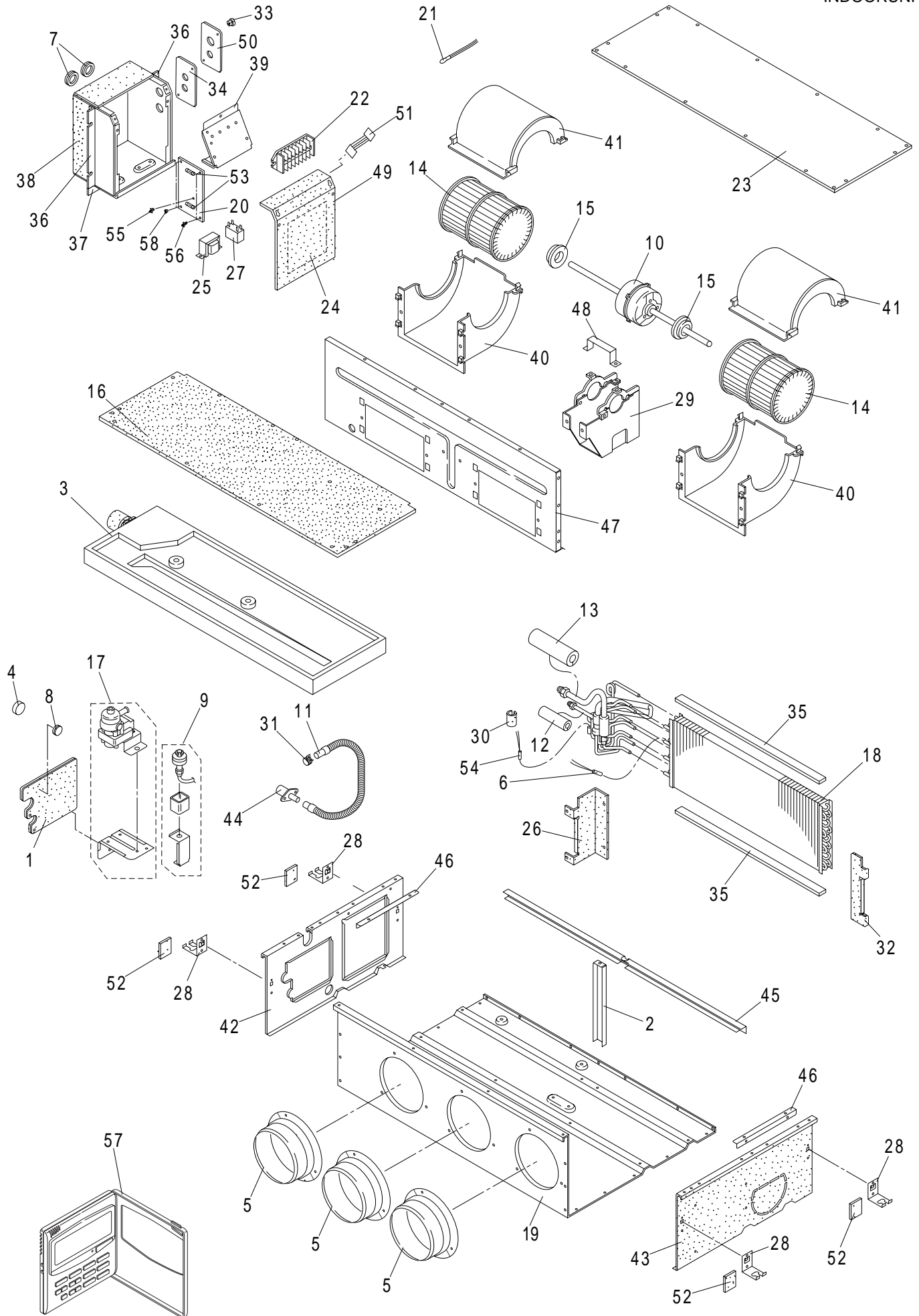
INDOOR UNIT  
UHW2672R

Made in Japan

---

Model No.	Prod.Code	Volt-Phase-Hertz
UHW2672R	1 854 033 57	208-230-1-60

REFERENCE No.PL 833888



## ATTENTION !

To ensure correct parts supply, please let us know followings,  
when you make service parts order:

1.Part No. 2.Description 3.Q'ty 4.Volts-Hz-Ph 5.Product Model No.

UHW2672R  
INDOOR UNIT

Key No.	Part No.	Description	Q'ty	Reference No.	
1	638 020 1167	Moter Cover Ass'y	1	854-9-9536-04347	
2	638 018 7263	Mounting Plate	1	854-2-2361-49800	
*	3	623 192 1411	Drain Pan Ass'y	1	854-0-2301-507H2
4	638 020 1150	Insulation	1	854-2-1408-77700	
5	623 192 1404	Angle flange	3	854-2-2306-262H2	
*	6	623 160 1535	Thermistor Ass'y PBC-41E-S36	1	854-0-5259-54300
7	623 000 0735	Eyelet	2	3-9041-01500	
8	623 015 3431	Plug	1	733-2-3313-12000	
*	9	623 192 1442	Switch Ass'y	1	854-0-5152-03900
*	10	623 192 1435	Fan Motor Ass'y KFG4X-71B6P	1	854-0-5202-32000
11	638 018 7362	Drain Hose	1	854-2-4297-14600	
12	623 160 1320	Insulation Special	1	854-2-2411-22310	
13	623 160 1344	Insulation Special	1	854-2-2411-22210	
*	14	623 160 5380	Fan Ass'y	2	854-0-2501-22830
15	638 015 1486	Cushion Rubber	2	854-2-2534-17500	
16	623 192 1428	Cover, Drain Pan	1	854-2-2343-163H2	
*	17	623 192 1473	Drain Pump Ass'y PJV-1429AU	1	854-0-5264-04600
*	18	623 301 0823	Heat Exch Ass'y	1	854-0-4124-58500
19	623 192 1466	Cabinet Ass'y	1	854-9-9536-05295	
*	20	623 192 1572	Circuit Board Ass'y CR-TH2672	1	854-9-9536-05306
*	21	623 160 1382	Thermistor Ass'y KTEC-35-S85	1	854-0-5259-53500
*	22	638 016 3441	Terminal Base UKT50-3+15S-2J(A	1	1FJ-4-J3A0-06800
23	623 192 1459	Top Cover Ass'y	1	854-9-9536-05305	
24	623 301 0816	Elec. Wiring Diagram	1	8FA-2-5250-15300	
*	25	623 192 1503	Transformer Ass'y ATR-IIK244B	1	854-0-5263-20400
26	623 192 1497	Mounting Plate,Evaporator	1	854-2-2303-312H2	
*	27	638 003 6653	Fixed Capacitor UPMDD-440V/5.0MF	1	4-2239-56165
28	638 018 7188	Hook Plate	4	854-2-1130-24201	
29	638 018 7621	Support Motor Ass'y	1	854-0-2511-24801	
30	623 054 6073	Insulation Tube	1	852-2-4514-28600	
31	623 077 2205	Clip	1	854-2-2315-10301	
32	623 192 1480	Mounting Plate,Evaporator	1	854-2-2303-313H2	
33	623 038 3425	Bushing OCB-875	1	851-2-5370-00900	
34	623 192 1510	Mounting Plate	1	854-2-5309-18302	
35	623 160 5397	Insulation, Evaporator	2	854-2-2404-30910	
36	638 018 7409	Mounting Plate	2	854-2-5309-14200	
37	638 018 7416	Mounting Plate	1	854-2-5309-14300	
38	623 160 1443	Elec Component Box	1	854-2-5306-15900	
39	638 018 7423	Support Terminal	1	854-2-5316-16401	
40	623 160 1450	Blower Casing	2	854-2-2506-19210	
41	623 160 1474	Blower Casing	2	854-2-2506-19310	
42	638 018 7102	Side Panel Ass'y	1	854-0-1102-39200	
43	638 018 7614	Side Panel Ass'y	1	854-0-1102-39300	
44	623 160 1481	Joint Drain	1	854-2-2334-18610	
45	638 018 7843	Mounting Panel	1	854-2-1127-19000	
46	638 018 7171	Mounting Plate	2	854-2-1129-95100	
47	638 018 7805	Partition Plate, Blower	1	854-2-2505-19100	
48	638 018 7683	Support Fan Motor	1	854-2-2516-30000	
49	638 018 7386	Cover,Elec.Component Box	1	854-2-5304-50300	
50	623 192 1527	Insulation	1	854-2-1408-85100	

NOTE: Metal and plastic parts will be supplied basically with necessary heat insulation pads or packing. Each key number with an asterisk (\*) means the recommended service parts.

**ATTENTION !**

To ensure correct parts supply, please let us know followings,  
when you make service parts order:

1.Part No. 2.Description 3.Q'ty 4.Volts-Hz-Ph 5.Product Model No.

UHW2672R  
INDOOR UNIT

Key No.	Part No.	Description	Q'ty	Reference No.
51	623 120 9908	Wire Ass'y	1	851-0-5292-70200
52	623 160 1504	Insulation	4	854-2-1408-77510
* 53	623 191 6783	Fuse MT3 5A	2	1FJ-4-S3A0-03900
* 54	623 160 1313	Thermistor Ass'y PBC-41E-S36	1	854-0-5259-54200
55	623 096 5973	Spacer SPSN-4	1	851-2-5366-04100
56	623 096 5966	Spacer SPLSN-4	2	851-2-5366-03700
* 57	623 301 0786	Remote Control Switch RCS-TM80BG	1	8FA-0-0051-08200
58	623 038 3333	Spacer	2	851-2-5366-01200

NOTE: Metal and plastic parts will be supplied basically  
with necessary heat insulation pads or packing.  
Each key number with an asterisk (\*) means the  
recommended service parts.

For Parts or Service Contact  
SANYO HVAC SERVICE CENTER  
SANYO Fisher Service Company  
1165 Allgood Road, Suite 22, Marietta, GA 30062 U.S.A.  
300 Applewood Crescent, Concord, Ontario, L4K 5C7, CANADA  
2/07 Printed in Japan