

Think GAIA
For Life and the Earth

SANYO

1/3" Color CCD DSP High-Resolution Camera

VCC-5884 E NTSC

- Super high horizontal resolution of 540 TV lines (typical)
- High sensitivity — minimum illumination of 1.0 lx
- Automatic gain control (ON/OFF)
- A uniquely compact design
- 24V AC and 12 to 15V DC, dual power operation

DIGITAL
.....



Lens not supplied with camera.



Enclosed installation
in a 5-inch dome

1.0 lux
High Sensitivity

Super-High Resolution
540-TVL



VCC-5884 E

Features

- 1/3-inch CCD image sensor with approx. 410,000 picture elements.
- Super high horizontal resolution of 540 TV lines (typical) for maximum detail and a noticeably sharper, clearer picture.
- High sensitivity for monitoring at a minimum required illumination of 1.0 lx with F1.2 lens (AGC on).
- Built-in DSP (digital signal processing) circuitry delivers superior color reproduction and reduced noise.
- Backlight compensation (center-zone photometry system) Luminance measured at center and automatic lens aperture adjustment enable a clear image even when backlit.
- Automatic gain control
A sliding ON/OFF switch allows you to turn the automatic gain control on or off as required.
- A uniquely compact design
Its extraordinarily compact size [63 (W) x 68 (H) x 51 (D) mm] makes the camera inconspicuous. And it is possible to hide it even more effectively by enclosing it in a 5-inch dome.

Other Features

- Auto-tracing white balance.
- Electronic iris for indoor use with manual or fixed iris lens.
- Internal/Line lock synchronizing system.
- Runs on 24V AC or 12 to 15V DC power sources.

Specifications

| Model No. | | VCC-5884 E |
|-----------------------------|----------------|--|
| Scanning system | | NTSC Standard 525 Lines, 30 frames/sec. |
| Image sensor | | 1/3" (approx. 4.8 x 3.6 mm) interline transfer method CCD |
| Effective picture elements | | 768 (H) x 494 (V) |
| Horizontal resolution | | 540 TV lines (typical) |
| Minimum illumination | | 1.0 lx (AGC on) at F1.2 |
| Video output level | | 1.0 V (p-p) / 75 ohms, composite |
| Video S/N ratio | | More than 50 dB (AGC off) |
| Backlight compensation | | ON / OFF — Slide SW (side) ON = Center-zone photometry system — Slide SW (side) (activated when auto iris lens used) |
| White balance | | TTL auto tracing white balance |
| Gain control | | AGC on/off |
| Light control | | Optical auto iris lens / Electronic iris (indoor use) |
| Lens mount | | CS mount (top / bottom selectable) |
| Flange back | | 12.5 mm ±0.5 mm adjustment |
| Auto iris lens | | DC type |
| Auto iris output | | DC: Drive coil (+, -), Brake (damp) coil (+, -) |
| Lens iris level | | LEVEL: L to H — VR (side) |
| Electronic iris | | ON (EI) / OFF (AI) — Slide SW (side) |
| Electronic iris range | | 1.0 to 50,000 lx (with F1.2 lens) |
| Synchronizing system | | Internal sync / Line lock — Slide SW (side) |
| V phase adjustment | | LINE PHASE — VR (rear) |
| Sockets | Video signal | VIDEO OUT — BNC (rear) |
| | Auto iris lens | LENS — 4-pin (side) |
| | Power supply | 24V AC, GND — Pushlock terminal x 3 (rear) 12V DC, GND — Pushlock terminal x 2 (rear) |
| Operating conditions | Operating | Temperature: -10°C to 50°C [14°F to 122°F], Humidity: within 90% RH |
| | Storage | Temperature: -20°C to 70°C [-4°F to 158°F], Humidity: within 70% RH |
| Power requirement | | 24V AC, 60 Hz / 12 to 15V DC |
| Power consumption (approx.) | | 3.6 W |
| Camera mount | | 1/4" – 20 UNC (top / bottom selectable) |
| Dimensions (approx.) | | 63 (W) x 68 (H) x 51 (D) mm [2.48 (W) x 2.68 (H) x 2.01 (D) in.] (excluding protrusions) |
| Weight (approx.) | | 160 g [5.64 oz] (without lens) |

NOTE: Specifications subject to change without notice.

540 TVL (typical) Cameras for Greater Peace of Mind

DAY NIGHT



VCC-ZM600
VCC-ZM600N IP Camera
1/4" Color CCD DSP
High-resolution Day/Night
AF Zoom Camera

DAY NIGHT



VCC-XZ600
VCC-XZ600N IP Camera
1/4" Color CCD DSP
High-resolution Weatherproof
Day/Night AF Zoom Camera



VCC-9684VA
1/4" Color CCD
Indoor Mini Dome Camera

DAY NIGHT



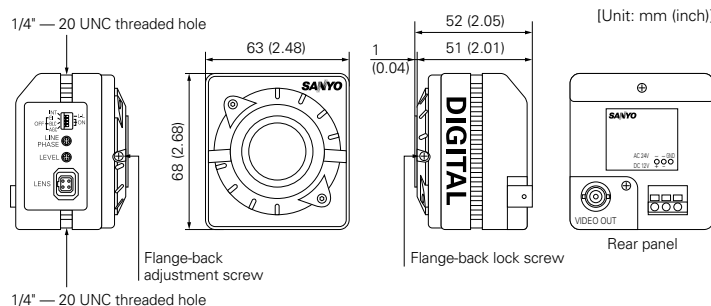
VCC-4794 E
1/3" Color CCD DSP
Day/Night Camera

DAY NIGHT



VCC-6584 E
1/3" Color CCD DSP
High-resolution Camera

Dimensions



Caution: Please consult the instruction manual to ensure safe and proper operation of the product.



DI Company of SANYO Electric Co., Ltd.
obtained Quality Management System
ISO 9001 and Environmental Management
System ISO 14001 certifications.

Distributed by:

SANYO

SANYO Electric Co., Ltd.
DI Company
<http://www.sanyosecurity.com>

©2008 SANYO Printed in Japan 2008.1 MA
SMS154