

Think GAIA  
For Life and the Earth

**SANYO**

Full HD PTZ Camera Series

VCC-HD5400  
VCC-HD5600



**SANYO, the first choice for Full HD**

- Built-in 10x AF megapixel-rated lens (6.3 to 63mm)
- 360-degree Continuous PTZ (Pan-Tilt-Zoom)
- 1080p Full HD, 30 ips Full Framerate with H.264
- Exclusive Xacti HD-Pro Engine and Optimum IP-Pro Engine
- Quad-Stream
- HDMI Output \*1
- Digital Image Stabilizer
- Video Analytics
- Bidirectional Audio
- Edge Recording on SD or HDD \*2

\*1 Option for VCC-HD5600

\*2 Use Sanyo-recommended SD card/HDD.

**FULL HD**  
1920 X 1080



**VCC-HD5400**  
Quad-Stream  
Day/Night PTZ **DAY NIGHT**



**VCC-HD5600**  
Quad-Stream Day/Night  
High-Speed PTZ **DAY NIGHT**

**Technical Specifications**

Camera		VCC-HD5600	VCC-HD5400
Image sensor		1/2.5" Progressive Scan CMOS	
Number of pixels		Effective 16:9 1920 (H) x 1080 (V) 4:3 1600(H) x 1200(V)	
Minimum illumination (approx.)		Color 2.0 lux (F1.8, GAIN HIGH), B/W 0.1 lux (F1.8, GAIN HIGH)	
Video S/N ratio		More than 50 dB (AGC off)	
Lens		10x Optical Zoom, 16x Digital Zoom, f=6.3 to 63mm, F1.8 to 2.5	
View angle	Horizontal	(16:9) 5.5 - 50.6° (4:3) 5.2 - 48.7°	
	Vertical	(16:9) 3.1 - 29.3° (4:3) 3.9 - 37.0°	
	Diagonal	(16:9) 6.2 - 57° (4:3) 6.5 - 58.8°	
Auto focus		Auto/Manual/One-push	
Backlight compensation		Multi/Center/Face/Off, Mask settings possible	
White balance		ATW/AWC/MWB/Outdoor/Indoor/Fluorescent Adjustable R and B signals in MVV mode	
AGC		Normal/Middle/High/Off Adjustable, gain control in Off mode	
Electronic shutter		1/30, 1/60, 1/100, 1/250, 1/500, 1/1000, 1/2000, 1/4000, 1/10000 Long shutter : x1, x2, x4, x8, x16, x32	
Electronic iris		On/Off	
Gamma		0.45/1/Mode1/Mode2	
Aperture compensation		On/Off	
Day/Night		True Day/Night	
DNR		3D	
Title		16 Characters	
Motion detection		Yes, Video analytics	
Face detection		Yes	
Privacy mask		On/Off	
Image Stabilizer		Yes	

**Network**

Image compression		MJPEG / H.264	
Resolution	H.264	<16:9> 1920x1080 / 1280x720 / 640x360 / 320x180 <4:3> 1600x1200 / 1280x960 / 1024 x 768 / 640x480 / 320x240	
	MJPEG	<16:9> 1920x1080 / 1280x720 / 1024x576 / 640x360 <4:3> 1600x1200 / 1280x960 / 1024x768 / 800x600 / 640x480 / 320x240	
Picture quality		Quality: (BASIC, NORMAL, ENHANCED, FINE, SUPER FINE) Bit rate: Changeable	
Frame rate		Max. 30 ips (1920x1080)	
Streaming number		4	
Video streaming		Multi stream H.264 and MJPEG (Max. 1920x1080 30 ips)	
Audio compression method		G.711, Bidirectional (Full duplex)	
Protocol		TCP/IP, UDP, HTTP, HTTPS, SMTP, NTP, DHCP, FTP, DDNS, RTP, RTSP	
Simultaneous access capacity		Max. 20	
Security		BASIC authentication (ID/password), SSL supported (Only JPEG), IP filtering	

**Mechanical**

Movement range	Panning	360° Endless pan	
	Tilting	-20° to +200°	
Movement speed	Panning	420°/sec. (24V AC)	350°/sec. (24V AC)
	Tilting	360°/sec. (24V AC)	350°/sec. (24V AC)
Preset positions		256 positions	
Auto mode		Sequence/auto pan/tour	
Auto return		On/Off	
Auto pursuit		On/Off	

**Interface**

Video output	Composite out (for adjustment only), HDMI*1		Composite out (for adjustment only), HDMI
SD memory card slot	1(SDHC)		
Network port	10BASE-T/100BASE-TX (RJ45 connector)		
Alarm input/output	8/2		4/2
Audio input/output	Mic in/Line out (3.5Φ mini jack)		
Communication	RS-485		
USB port	For dedicated HDD case only		

**General**

Environmental conditions	Operating	Temperature: -10 to +50°C (14°F to 122°F) Humidity: within 90% RH	
	Storage	Temperature: -20 to +70°C (-4°F to 158°F) Humidity: within 70% RH	
Power supply		24V AC ±10%, 60 Hz*2	24V AC ±10%, 60 Hz, 12-15V DC PoE
Power consumption (approx.)	Power unit	29w (24V AC)	21w (24V AC/12V DC), 12.3w (PoE)
	Outdoor housing	35w*3	-
Dimensions (approx.) (Dia. x H)		Φ192 x 181 (67.02 oz/mm (7.56 x 7.13 inch))	Φ124 x 153.4mm (4.88 x 6.04 inch)
Weight (approx.)		1.90kg (67.02 oz)	1.35kg (47.62 oz)

\* Specifications, design and availability are subject to change without notice.

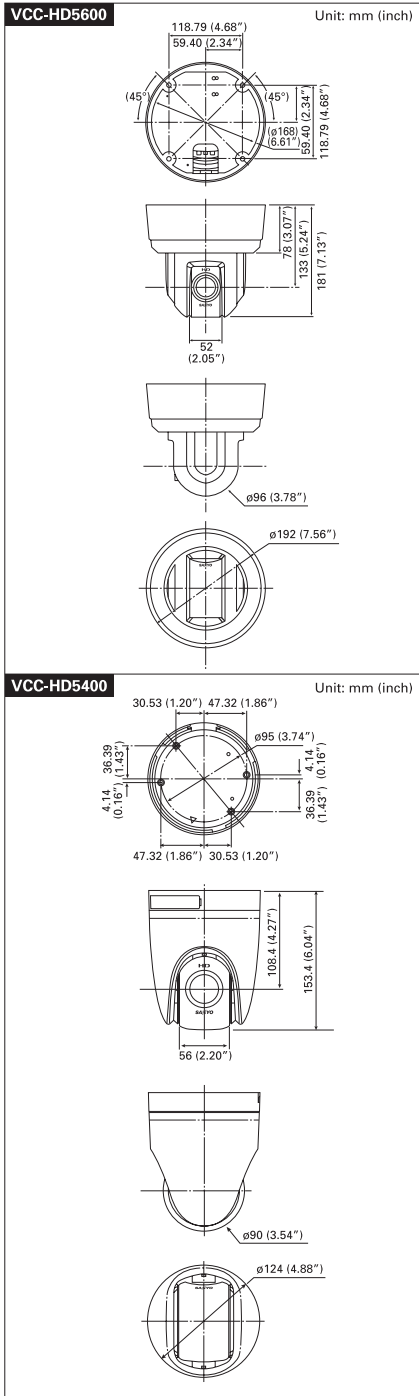
\*1 Option \*2 Combination with VCC-MCH5600 (Camera unit) and VA-94S (Power unit) \*3 Outdoor housing VA-80EX+CM8S/C

**Caution:** Please consult the instruction manual to ensure safe and proper operation of the product.



Digital System Company of SANYO Electric Co., Ltd. obtained Quality Management System ISO9001 and Environmental Management System ISO14001 certifications.

**Dimensions**



Distributed by:



**SANYO Electric Co., Ltd.**  
Digital System Company  
<http://www.sanyosecurity.com>