

# Parts List



File No.

## Air Conditioner

INDOOR UNIT  
XHW2672R

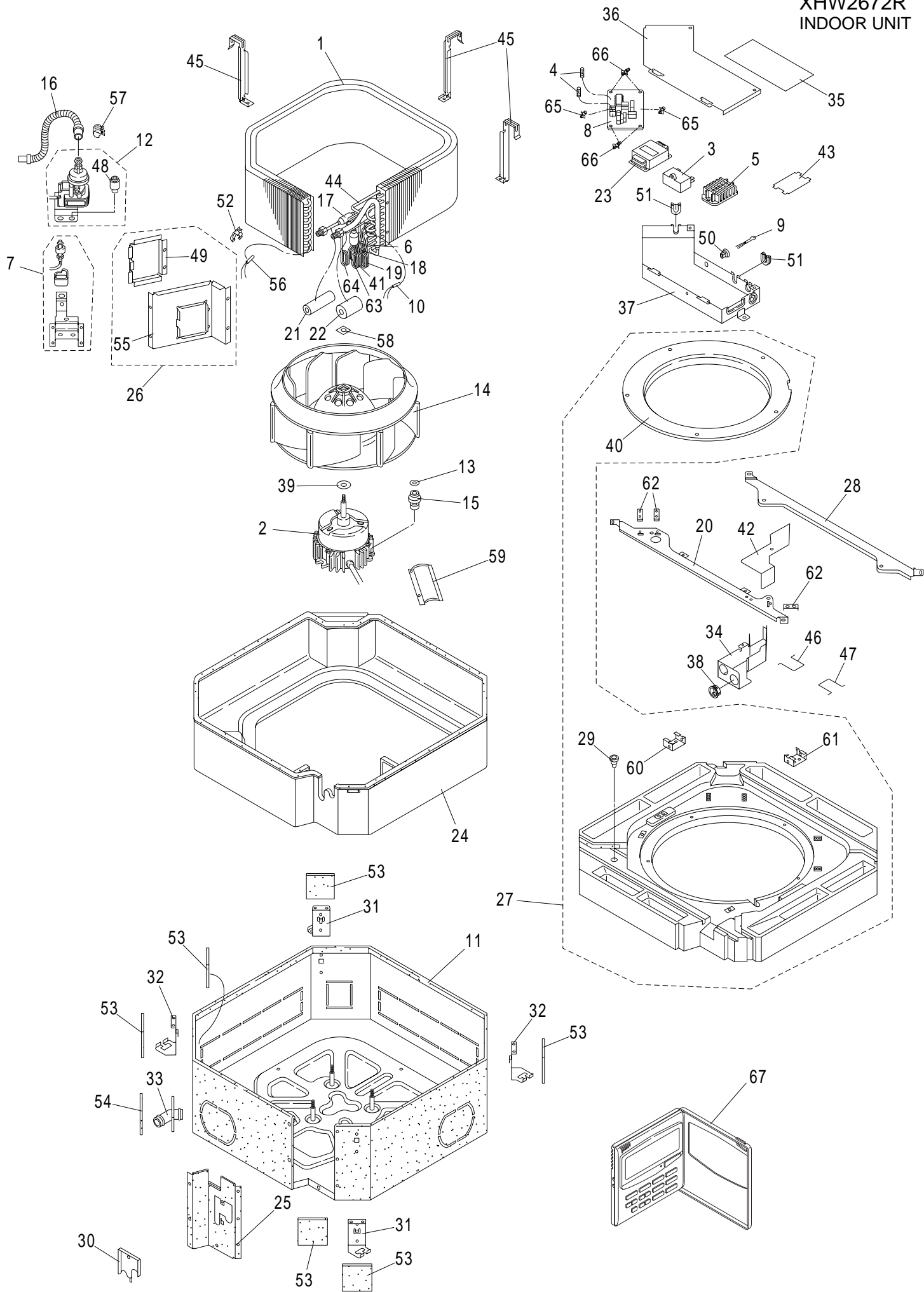
Made in Japan

---

Model No.	Prod.Code	Volt-Phase-Hertz
XHW2672R	1 854 033 42	208-230-1-60

REFERENCE No.PL 833893

XHW2672R  
INDOOR UNIT



## ATTENTION !

To ensure correct parts supply, please let us know followings,  
when you make service parts order:

1.Part No. 2.Description 3.Q'ty 4.Volts-Hz-Ph 5.Product Model No.

XHW2672R  
INDOOR UNIT

Key No.	Part No.	Description	Q'ty	Reference No.
* 1	623 301 0830	Heat Exch Ass'y	1	854-0-4124-58300
* 2	623 191 6790	Fan Motor Ass'y SFG6X-41D6P	1	854-0-5202-31400
* 3	623 119 1050	Fixed Capacitor CMPS UP44B455JMF	1	4-2239-56862
* 4	623 191 6783	Fuse MT3 5A	2	1FJ-4-S3A0-03900
* 5	638 016 3441	Terminal Base UKT50-3+15S-2J(A	1	1FJ-4-J3A0-06800
6	623 165 6726	Capillary Tube C1220T-00	1	854-2-4237-17100
* 7	623 191 6776	Switch Ass'y FS-0218-102	1	854-0-5152-03600
* 8	623 192 1572	Circuit Board Ass'y CR-TH2672	1	854-9-9536-05306
* 9	623 160 8251	Thermistor Ass'y KTEC-35-S6	1	854-0-5259-52800
* 10	623 160 8268	Thermistor Ass'y PBC-41E-S14	1	854-0-5259-52200
11	623 159 2888	Cabinet Ass'y	1	854-0-1104-32900
* 12	623 191 6806	Drain Pump Ass'y PJV-1428AU	1	854-0-5264-04300
13	623 093 6508	Washer	3	3-9021-03100
* 14	638 008 2971	Fan Ass'y	1	854-0-2501-21610
15	638 019 7651	Cushion Rubber	3	854-2-2534-17800
16	638 019 7668	Drain Hose	1	854-2-4297-14700
17	623 070 9300	Strainer Ass'y	1	854-0-4522-10400
18	623 165 6757	Capillary Tube	1	854-2-4237-17200
19	623 165 6740	Capillary Tube	1	854-2-4237-17300
20	623 191 6837	Mounting Plate, Drain Pan	1	854-2-2333-221H2
21	623 160 8206	Insulation Special	1	854-2-2411-24110
22	623 160 8213	Insulation Special	1	854-2-2411-24020
* 23	623 191 6820	Transformer Ass'y ATR-IIK224A	1	854-0-5263-19000
24	623 191 6813	Cover Ass'y, Evaporator	1	854-0-2317-169H2
25	623 191 6875	Cabinet Plate	1	854-2-1105-298H2
26	623 191 6868	Mounting Plate	1	854-2-4134-664H1
* 27	623 191 6851	Drain Pan Ass'y	1	854-0-2301-515H2
28	638 019 7712	Mounting Plate, Drain Pan	1	854-2-2333-22001
29	623 101 9132	Cap Rubber	1	854-2-4109-10200
30	623 191 6844	Mounting Plate	1	854-2-2361-512H2
31	638 019 7736	Mounting Parts Ass'y	2	854-0-1111-20301
32	638 019 7743	Mounting Parts Ass'y	2	854-0-1111-20401
33	638 014 8165	Joint Drain	1	854-2-2334-17310
34	623 160 8336	Support Wire	1	854-2-5319-11101
35	623 301 0847	Elec. Wiring Diagram	1	8FA-2-5250-15200
36	638 019 7767	Cover, Elec. Component Box	1	854-2-5304-50801
37	623 160 8138	Elec Component Box Ass'y	1	854-0-5301-80300
38	623 038 3425	Bushing OCB-875	1	851-2-5370-00900
39	623 126 3856	Washer Special	1	854-2-1355-15201
40	623 160 8145	Nozzle	1	854-2-2519-14310
41	623 165 6764	Capillary Tube	1	854-2-4237-17400
42	623 160 8343	Cover Terminal	1	854-2-5305-15001
43	623 184 7209	Cover UKT50-3+15S-2D	1	854-2-5376-00800
44	623 165 6795	Capillary Tube	1	854-2-4237-17700
45	638 019 7842	Support, Evaporator	3	854-2-2232-23400
46	638 019 7859	Guide	1	854-2-2352-15600
47	638 019 7866	Guide	1	854-2-2352-15700
48	638 004 9523	Cushion Rubber	3	854-2-2318-13800
49	638 019 7873	Cover Plate	1	854-2-2342-70000
50	623 027 4990	Bushing	1	800-2-5337-17900

NOTE: Metal and plastic parts will be supplied basically with necessary heat insulation pads or packing. Each key number with an asterisk (\*) means the recommended service parts.

**ATTENTION !**

To ensure correct parts supply, please let us know followings,  
when you make service parts order:

1.Part No. 2.Description 3.Q'ty 4.Volts-Hz-Ph 5.Product Model No.

XHW2672R  
INDOOR UNIT

Key No.	Part No.	Description	Q'ty	Reference No.
51	623 016 2938	Eyelet	2	733-2-4425-12200
52	638 006 5462	Mounting Plate	1	854-2-4140-10201
53	623 160 8237	Packing	6	854-2-1361-79110
54	623 160 8244	Packing	1	854-2-1361-80610
55	638 019 7989	Mounting Plate	1	854-2-4134-66400
* 56	623 160 8404	Thermistor Ass'y PB3M-41E-S4	1	854-0-5259-52300
57	623 077 2205	Clip	1	854-2-2315-10301
58	623 126 2866	Square Washer	1	854-2-2328-10401
59	638 019 7934	Cover Plate	1	854-2-2342-69300
60	638 019 7941	Mounting Plate	1	854-2-2361-51001
61	638 019 7958	Mounting Plate	1	854-2-2361-51101
62	638 019 7965	Mounting Plate	3	854-2-2361-58301
63	623 165 6771	Capillary Tube	1	854-2-4237-17600
64	623 165 6788	Capillary Tube	1	854-2-4237-17500
65	623 099 6052	Spacer SPSN-6	2	851-2-5366-04200
66	623 097 1677	Spacer SPLSN-6	4	851-2-5366-03800
* 67	623 301 0786	Remote Control Switch RCS-TM80BG	1	8FA-0-0051-08200

NOTE: Metal and plastic parts will be supplied basically  
with necessary heat insulation pads or packing.  
Each key number with an asterisk (\*) means the  
recommended service parts.

For Parts or Service Contact  
SANYO HVAC SERVICE CENTER  
SANYO Fisher Service Company  
1165 Allgood Road, Suite 22, Marietta, GA 30062 U.S.A.  
300 Applewood Crescent, Concord, Ontario, L4K 5C7, CANADA  
2/07 Printed in Japan